

SNR Linear Motion: Ball Bushings



Industry





As one of the leading manufacturers of rolling bearings in Europe, SNR has been, for many years, among the most innovative companies within its sector of industry. Since April of 2008, SNR has been a part of a corporate group together with the Japanese company NTN, making it the third largest manufacturer of rolling bearings in the world. Hence, we are able to offer “added value” to our customers with reference to product variety, quality and service. Our company is clearly identified through a world-wide presence and through its continuous quality system. Since 1985, we are also active in the market of linear technics. Our extensive line of products within linear technics, our know-how and our made-to-measure services have made us renowned with our customers as a highly efficient partner. It does not matter if for instance it concerns machine components such as ball screws, the attached fixed – and floating bearing units, ball bushings and shafts, or whether you require a linear module as a single-axis or a multi-axes system. SNR offers you specific

and individual customer solution concepts. The SNR delivery program for ball bushings, shafts and shaft supports offers an extensive variety of DIN ball bearings, as well as models that are completely different. The program is completed by full bearing units including the casing or shaft toolings according to individual customer orders. By way of our wide product program, you will surely be able to find a suitable solution for your application(s). We also provide support with reference to the development of system solutions. Our extensive network of sales and technical engineers will offer you individual advice on-site and they will provide you with specific solutions for your individual application(s).

This technical catalog is the foundation for a meaningful dialogue with you.

We look forward to receiving your order –
We are most happy to welcome you as our customer!

*SNR does not acknowledge any liability for any errors and omissions deficiencies occurring - despite our great care – with reference to the publication of this technical catalog. We are entitled to make any complete or partial changes to products or characteristics/data in/of this document in accordance to our continuous research and development policy, without prior notice.
SNR Copyright International 2011*

Contents

	Page
Ball bushings	4
ISO dimensions, standard ball bushings, closed	4
Standard ball bushings, open	6
Standard ball bushings, adjustable	8
Standard flanged ball bushings (round)	10
Tandem standard ball bushings	12
Tandem flanged standard ball bushings (round)	14
Middle flanged standard ball bushings (round)	16
JIS dimensions	18
Ball bushings, closed	18
Super ball bushings (closed, open)	20
Ball sleeves	22
Linear units with standard ball bushings, relubrication	24
Linear units with standard ball bushings, closed casing.....	24
Linear units with standard ball bushings, closed casing and adjustable clearance	26
Linear units with standard ball bushings, open casing	28
Linear units with standard ball bushings, open casing and adjustable clearance.....	30
Linear units with standard ball bushings, casing at one side	32
Linear units with standard ball bushings, casing open on one side and adjustable clearance.....	34
Tandem linear units with standard ball bushings, closed casing	36
Tandem linear units with standard ball bushings, closed casing and adjustable clearance.....	38
Tandem linear units with standard ball bushings, open casing	40
Tandem linear units with standard ball bushings, open casing and adjustable clearance	42
Quadro linear units with standard ball bushings, closed casing	44
Quadro linear units with standard ball bushings, open casing	46
Linear units with super ball bushings, relubrication	48
Linear units with super ball bushings, closed casing.....	48
Linear units with super ball bushings, open casing	50
Linear units with super ball bushings, open casing and adjustable clearance.....	52
Tandem linear units with super ball bushings, closed casing	54
Tandem linear units with super ball bushings, open casing.....	56
Tandem linear units with super ball bushings, open casing and adjustable clearance	58
Support rail	60
Without flange	60
With flange.....	61
For lateral fastening with one row of holes	62
For lateral fastening with a double row of holes	63
Shaft supports	64
Traverse	65
Shafts	66
Matrix in function of the pre-selection of solid shafts and hollow shafts.....	66
Steel, surface hardness, depth of hardness.....	66
Dimension accuracy and tolerance field	66
Solid shafts	67
Hollow shafts	67
Shaft tooling	68
Examples of tooling.....	70
Type designation code	72
General information	74
Introduction	74
Load ratings.....	74
Relation between the rows of balls and the load rating	75
Material.....	76
Service life	77
Lubrication and friction.....	80
Fittings.....	82



Ball bushings

ISO dimensions Standard ball bushings, closed

The closed ball bushings of the BBE series according to ISO 10285 are widely utilized in various applications because of their precise cylindrical shape and good operational qualities.

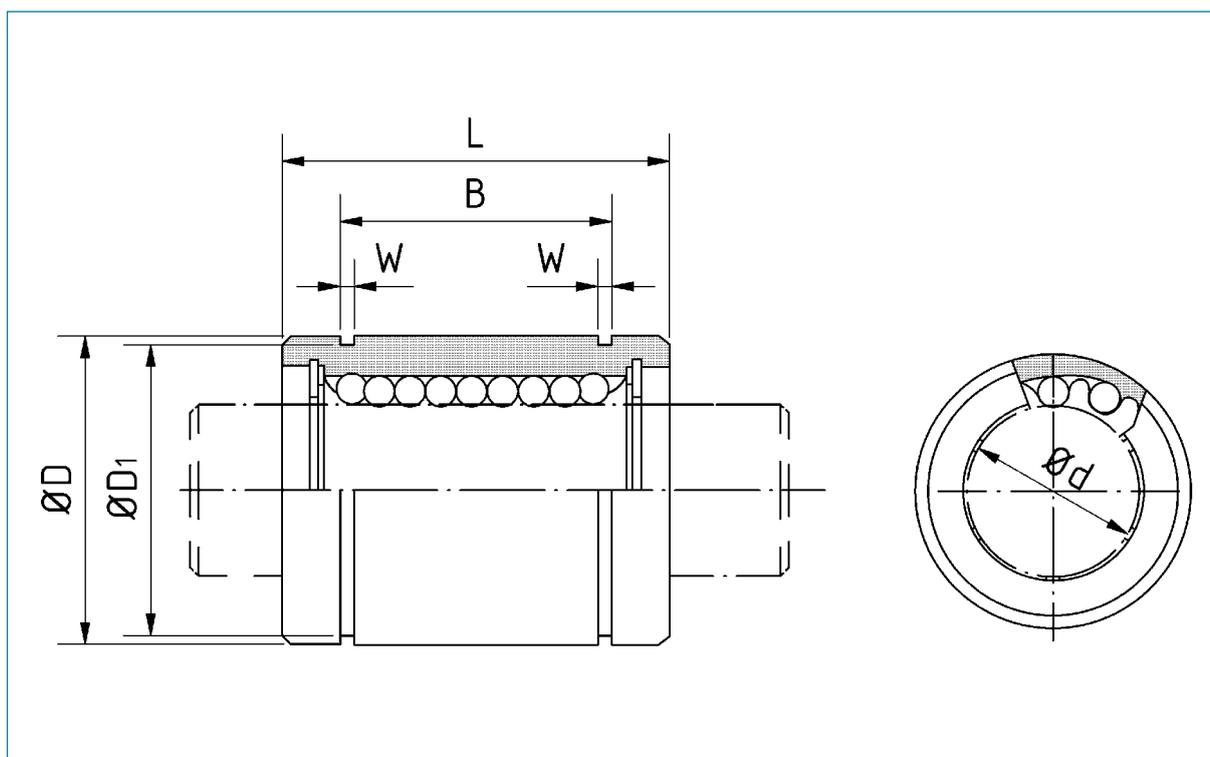


The standard ball bushings can be supplied from stock, with two wiper seals. The required seals are to be included when ordering.

Examples of order reference for a ball bushings with single-sided seal: BBE12U, BBE12AU

Examples of order reference for a ball bushings with double-sided seal: BBE12UU, BBE12AAU

Order reference				Dimensions [mm]							
Standard		Corrosion-resistant		Ød	Tolerance	ØD	Tolerance	L	Tolerance	B	Tolerance
Plastic cage	Steel cage	Plastic cage	Stainless steel cage								
BBE3	BBE3A	BBES3	BBES3A	3	+0,008 0	7	0 -0,008	10	0	-	-
BBE4	BBE4A	BBES4	BBES4A	4		8		12	-0,012	-	-
BBE5	BBE5A	BBES5	BBES5A	5		12		22	14,5	16,5	0 -0,2
BBE8	BBE8A	BBES8	BBES8A	8		16	25				
BBE10	BBE10A	BBES10	BBES10A	10		19	29	22	22,9	0 -0,2	
BBE12	BBE12A	BBES12	BBES12A	12		22	32				
BBE16	BBE16A	BBES16	BBES16A	16		+0,009 -0,001	26	36	24,9	31,5	0 -0,3
BBE20	BBE20A	BBES20	BBES20A	20		32	45				
BBE25	BBE25A	BBES25	BBES25A	25		+0,011 -0,001	40	58	44,1	52,1	0 -0,3
BBE30	BBE30A	BBES30	BBES30A	30		47	68				
BBE40	BBE40A	BBES40	BBES40A	40	+0,013 -0,002	62	80	60,6	77,6	0 -0,4	
BBE50	BBE50A	BBES50	BBES50A	50		75	100				
BBE60	BBE60A	BBES60	BBES60A	60	+0,016 -0,004	90	125	101,7	133,7	0 -0,4	
-	BBE80A	-	-	80		120	165				



W	Ø D1	Rows of balls	max. eccentricity, [µm]	max. radial clearance [µm]	dynamic load rating [N]	static load rating [N]	Weight [g]	Order reference				
								Standard		Corrosion-resistant		
								Plastic cage	Steel cage	Plastic cage	Stainless steel cage	
-	-	4	10	-3	69	105	1,4	BBE3	BBE3-A	BBES3	BBES3-A	
-	-	4			88	127	2	BBE4	BBE4-A	BBES4	BBES4-A	
1,1	11,5	4	12	-3	206	265	11	BBE5	BBE5-A	BBES5	BBES5-A	
1,1	15,2	4			265	402	22	BBE8	BBE8-A	BBES8	BBES8-A	
1,3	18	4			-4	372	549	36	BBE10	BBE10-A	BBES10	BBES10-A
1,3	21	4				510	784	45	BBE12	BBE12-A	BBES12	BBES12-A
1,3	24,9	4	15	-4	578	892	60	BBE16	BBE16-A	BBES16	BBES16-A	
1,6	30,3	5			-6	862	1 370	102	BBE20	BBE20-A	BBES20	BBES20-A
1,85	37,5	6				980	1 570	235	BBE25	BBE25-A	BBES25	BBES25-A
1,85	44,5	6	17	-8	1 570	2 740	360	BBE30	BBE30-A	BBES30	BBES30-A	
2,15	59	6			2 160	4 020	770	BBE40	BBE40-A	BBES40	BBES40-A	
2,65	72	6	20	-13	3 820	7 940	1 250	BBE50	BBE50-A	BBES50	BBES50-A	
3,15	86,5	6			4 700	9 800	2 220	BBE60	BBE60-A	BBES60	BBES60-A	
4,15	116	6			-20	7 350	16 000	5 140	BBE80	-	-	-

The indicated load ratings are applicable in case the load only applies to one row of balls. If, however, the force is shared between two rows of balls, the load capacity is increased (refer to table on page 75).



Standard ball bushings, open

Where bending (deflection) of the shaft has to be avoided, open standard ball bushings are utilized in combination with shaft supports. This is often the case for applications with extended travel. By way of the combination described above, the stiffness is in fact additionally increased.



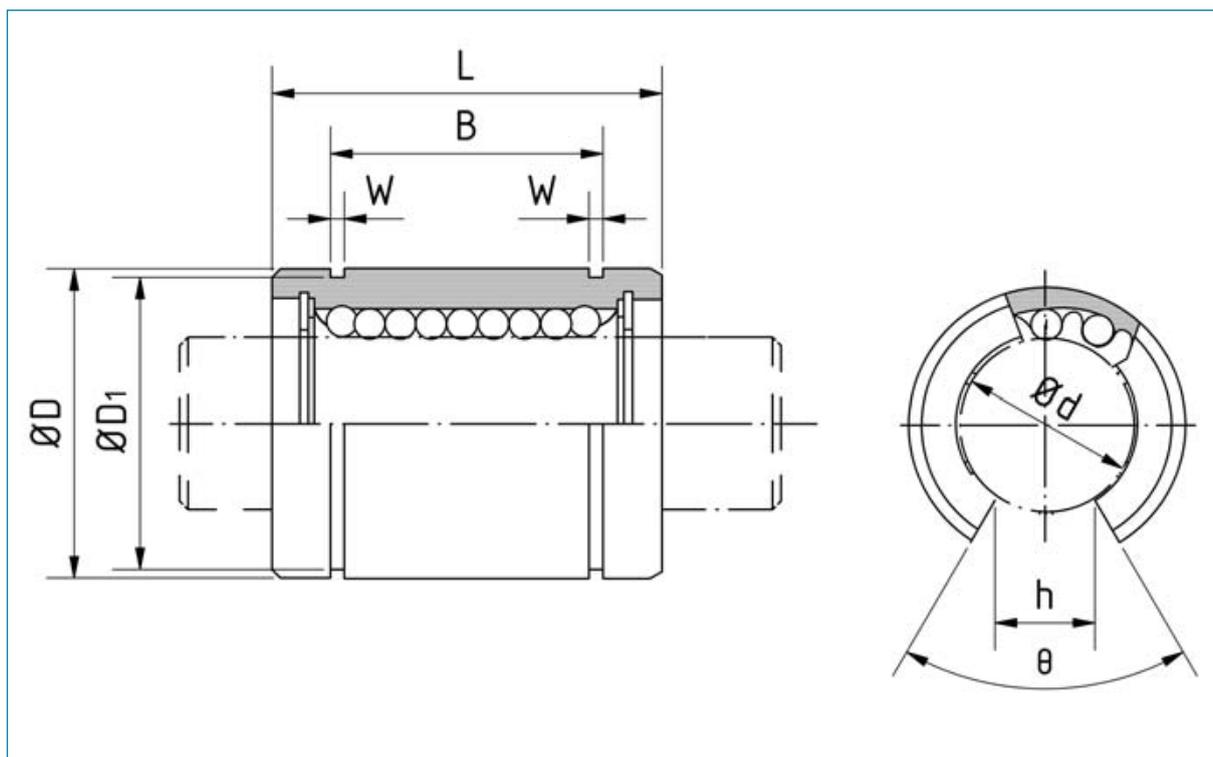
The standard ball bushings can be supplied from stock, with two wiper seals. The required seals are to be included when ordering.

Examples of order reference for a ball bushings with single-sided seal: BBE12U-OP, BBE12AU-OP

Examples of order reference for a ball bushings with double-sided seal: BBE12UU-OP, BBE12AAU-OP

Optionally, the open standard ball bushings with shafts and shaft supports are available (s. page 60).

Order reference				Dimensions [mm]							
Standard		Corrosion-resistant		Ød	Tolerance	ØD	Tolerance	L	Tolerance	B	Tolerance
Plastic cage	Steel cage	Plastic cage	Stainless steel cage								
BBE10-OP	-	BBES10-OP	-	10	+0,008	19	0 -0,009	29	0 -0,2	22	0 -0,2
BBE12-OP	BBE12A-OP	BBES12-OP	BBES12A-OP	12	0	22		32		22,9	
BBE16-OP	BBE16A-OP	BBES16-OP	BBES16A-OP	16	+0,009 -0,001	26	0 -0,011	36	0 -0,3	24,9	0 -0,3
BBE20-OP	BBE20A-OP	BBES20-OP	BBES20A-OP	20		32		45		31,5	
BBE25-OP	BBE25A-OP	BBES25-OP	BBES25A-OP	25	+0,011 -0,001	40	0 -0,013	58	0 -0,4	44,1	0 -0,4
BBE30-OP	BBE30A-OP	BBES30-OP	BBES30A-OP	30		47		68		52,1	
BBE40-OP	BBE40A-OP	BBES40-OP	BBES40A-OP	40	+0,013 -0,002	62	0 -0,015	80	0 -0,4	60,6	0 -0,4
BBE50-OP	BBE50A-OP	BBES50-OP	BBES50A-OP	50				75		100	
BBE60-OP	BBE60A-OP	BBES60-OP	BBES60A-OP	60	+0,016 -0,004	90	0 -0,015	125	0 -0,4	101,7	0 -0,4
-	BBE80A-OP	-	-	80				120		165	



Dimensions [mm]			θ [°]	Rows of balls	max. eccentricity [µm]	dynamic load rating [N]	static load rating [N]	Weight [g]	Order reference			
W	ØD1	h							Standard		Corrosion-resistant	
									Plastic cage	Steel cage	Plastic cage	Stainless steel cage
1,3	18	6,8	80	3	12	372	549	23	BBE10-OP	-	BBES10-OP	-
1,3	21	7,5	78	3		510	784	35	BBE12-OP	BBE12A-OP	BBES12-OP	BBES12A-OP
1,3	24,9	10	78	3		578	892	48	BBE16-OP	BBE16A-OP	BBES16-OP	BBES16A-OP
1,6	30,3	10	60	4	15	862	1 370	84	BBE20-OP	BBE20A-OP	BBES20-OP	BBES20A-OP
1,85	37,5	12,5	60	5		980	1 570	195	BBE25-OP	BBE25A-OP	BBES25-OP	BBES25A-OP
1,85	44,5	12,5	50	5		1 570	2 740	309	BBE30-OP	BBE30A-OP	BBES30-OP	BBES30A-OP
2,15	59	16,8	50	5	17	2 160	4 020	665	BBE40-OP	BBE40A-OP	BBES40-OP	BBES40A-OP
2,65	72	21	50	5		3 820	7 940	1 080	BBE50-OP	BBE50A-OP	BBES50-OP	BBES50A-OP
3,15	86,5	27,2	54	5	20	4 700	9 800	1 900	BBE60-OP	BBE60A-OP	BBES60-OP	BBES60A-OP
4,15	116	36,3	54	5		7 350	16 000	4 380	-	BBE80A-OP	-	-

The indicated load ratings for open ball bushings are only applicable where the load is applied from above; if the load is applied from the “open direction“, the load capacity is reduced by the following factor (refer to table on page 75).



Standard ball bushings, adjustable

The slotted standard ball bushings can be built into a casing with an adjustable internal diameter, allowing the clearance between the shaft and the ball bearing to be set.

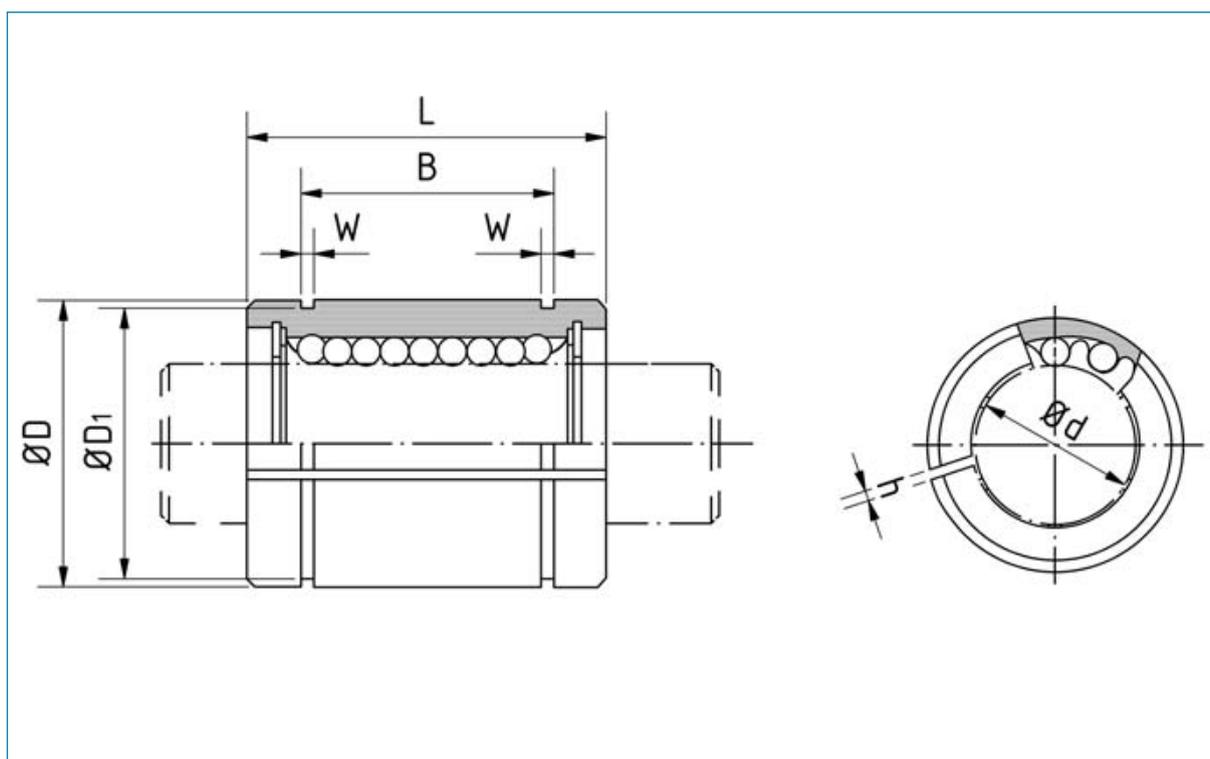


The standard ball bushings can be supplied from stock, with two wiper seals. The required seals are to be included when ordering.

Examples of order reference for a ball bushings with single-sided seal: BBE12U-AJ, BBE12AU-AJ

Examples of order reference for a ball bushings with double-sided seal: BBE12UU-AJ, BBE12AUU-AJ

Order reference				Dimensions [mm]							
Standard		Corrosion-resistant		Ød	Tolerance	ØD	Tolerance	L	Tolerance	B	Tolerance
Plastic cage	Steel cage	Plastic cage	Stainless steel cage								
BBE5-AJ	–	BBES5-AJ	–	5	+0,008 0	12	0 -0,008	22	0 -0,2	14,5	0 -0,2
BBE8-AJ	–	BBES8-AJ	–	8		16	25	16,5			
BBE10-AJ	–	BBES10-AJ	–	10		19	29	22			
BBE12-AJ	BBE12A-AJ	BBES12-AJ	BBES12A-AJ	12		22	32	22,9			
BBE16-AJ	BBE16A-AJ	BBES16-AJ	BBES16A-AJ	16	+0,009 -0,001	26	0 -0,009	36	0 -0,3	24,9	0 -0,3
BBE20-AJ	BBE20A-AJ	BBES20-AJ	BBES20A-AJ	20	32	45		31,5			
BBE25-AJ	BBE25A-AJ	BBES25-AJ	BBES25A-AJ	25	+0,011 -0,001	40	0 -0,011	58	0 -0,3	44,1	0 -0,3
BBE30-AJ	BBE30A-AJ	BBES30-AJ	BBES30A-AJ	30	47	68	52,1				
BBE40-AJ	BBE40A-AJ	BBES40-AJ	BBES40A-AJ	40	+0,013 -0,002	62	0 -0,013	80		60,6	
BBE50-AJ	BBE50A-AJ	BBES50-AJ	BBES50A-AJ	50		75	100	77,6			
BBE60-AJ	BBE60A-AJ	BBES60-AJ	BBES60A-AJ	60	+0,016 -0,004	90	0 -0,015	125	0 -0,4	101,7	0 -0,4
–	BBE80A-AJ	–	–	80		120	165	133,7			



Dimensions [mm]			Rows of balls	max. eccentricity [μm]	dynamic load rating [N]	static load rating [N]	Weight [g]	Order reference			
W	ØD_1	h						Standard		Corrosion-resistant	
								Plastic cage	Steel cage	Plastic cage	Stainless steel cage
1,1	11,5	1	4	12	206	265	10	BBE5-AJ	–	BBES5-AJ	–
1,1	15,2	1	4		265	402	19,5	BBE8-AJ	–	BBES8-AJ	–
1,3	18	1	4		372	549	29	BBE10-AJ	–	BBES10-AJ	–
1,3	21	1,5	4		510	784	44	BBE12-AJ	BBE12A-AJ	BBES12-AJ	BBES12A-AJ
1,3	24,9	1,5	4		578	892	59	BBE16-AJ	BBE16A-AJ	BBES16-AJ	BBES16A-AJ
1,6	30,3	2	5	15	862	1 370	100	BBE20-AJ	BBE20A-AJ	BBES20-AJ	BBES20A-AJ
1,85	37,5	2	6		980	1 570	230	BBE25-AJ	BBE25A-AJ	BBES25-AJ	BBES25A-AJ
1,85	44,5	2	6		1 570	2 740	355	BBE30-AJ	BBE30A-AJ	BBES30-AJ	BBES30A-AJ
2,15	59	3	6	17	2 160	4 020	758	BBE40-AJ	BBE40A-AJ	BBES40-AJ	BBES40A-AJ
2,65	72	3	6		3 820	7 940	1 230	BBE50-AJ	BBE50A-AJ	BBES50-AJ	BBES50A-AJ
3,15	86,5	3	6	20	4 700	9 800	2 170	BBE60-AJ	BBE60A-AJ	BBES60-AJ	BBES60A-AJ
4,15	116	3	6		7 350	16 000	5 000	–	BBE80A-AJ	–	–

The indicated load ratings are applicable in case the load only applies to one row of balls. If, however, the force is shared between two rows of balls, the load capacity is increased by the following factor (refer to table on page 75).



Standard flanged ball bushings (round)

Flanged ball bushings of the BBER series represent a useful addition to the standard ball bushings.

They offer the following advantages:

- The integrated flange design enables a more efficient arrangement of the housing or mounting holes.
- The flanged ball bushings are economical, because fewer components are required and altogether the installation is easier.
- The replacement of the ball bushings is easier.

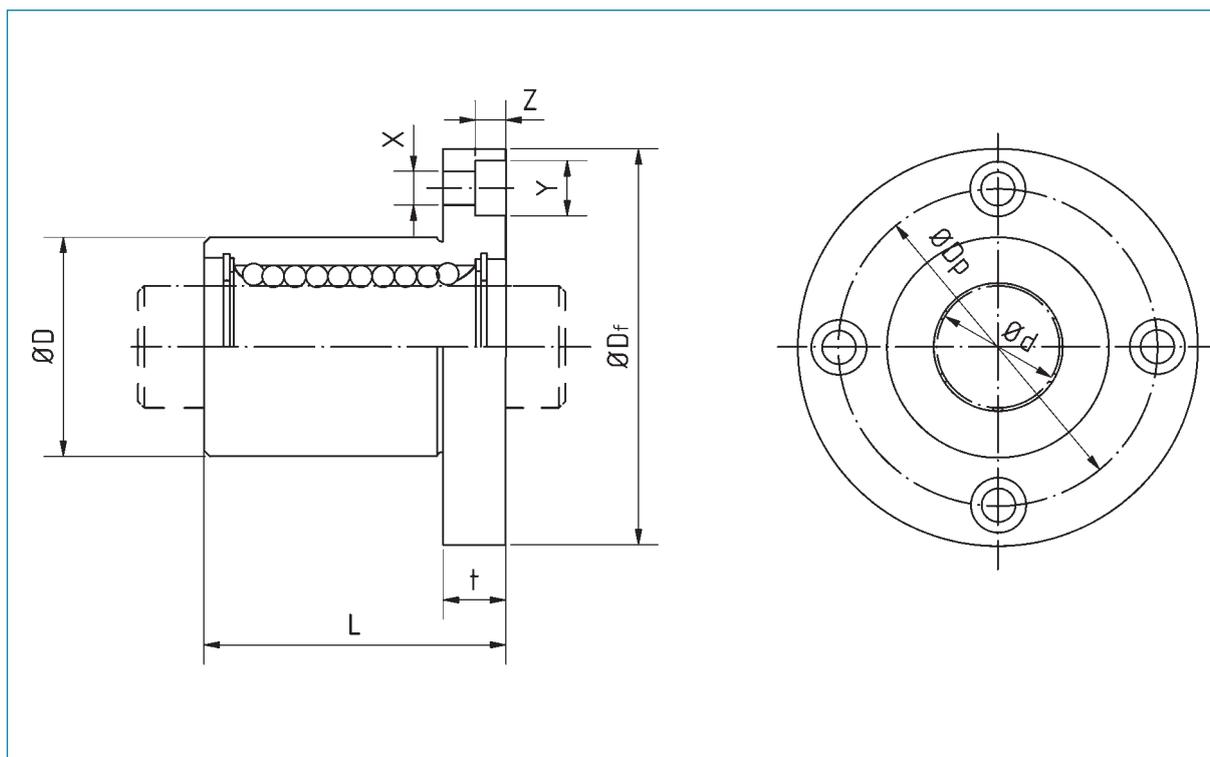


The standard ball bushings can be supplied from stock, with two wiper seals. The required seals are to be included when ordering.

Examples of order reference for a ball bushings with single-sided seal: BBER12U, BBER12AU

Examples of order reference for a ball bushings with double-sided seal: BBER12UU, BBER12AAU

Order reference				Dimensions [mm]								
Standard		Corrosion-resistant		Ød	Tolerance	ØD	Tolerance	L	Tolerance	ØDf	t	ØDp
Plastic cage	Steel cage	Plastic cage	Stainless steel cage									
BBER5	–	BBERS5	–	5	+0,008 0	12	0	22	±0,3	28	5	20
BBER8	BBER8A	BBERS8	BBERS8A	8		16	-0,013	25		32	5	24
BBER12	BBER12A	BBERS12	BBERS12A	12		22	1	32		42	6	32
BBER16	BBER16A	BBERS16	BBERS16A	16	+0,009 -0,001	26	-0,016	36		46	6	36
BBER20	BBER20A	BBERS20	BBERS20A	20		32	0	45		54	8	43
BBER25	BBER25A	BBERS25	BBERS25A	25	+0,011 -0,001	40	-0,019	58		62	8	51
BBER30	BBER30A	BBERS30	BBERS30A	30		47	68	76		10	62	
BBER40	BBER40A	BBERS40	BBERS40A	40	+0,013 -0,002	62	0	80		98	13	80
BBER50	BBER50A	BBERS50	BBERS50A	50		75	-0,022	100		112	13	94
BBER60	BBER60A	BBERS60	BBERS60A	60		90	0	125		134	18	112
–	BBER80A	–	–	80	+0,016 -0,004	120	-0,025	165		164	18	142



Dimensions [mm]			Rows of balls	max. eccentricity [µm]	Angular deviation [µm]	dynamic load rating [N]	static load rating [N]	Weight [g]	Order reference			
X	Y	Z							Standard		Corrosion-resistant	
									Plastic cage	Steel cage	Plastic cage	Stainless steel cage
3,5	6	3,1	4	12	12	206	265	26	BBER5	–	BBERS5	–
3,5	6	3,1	4			265	402	41	BBER8	BBER8A	BBERS8	BBERS8A
4,5	7,5	4,1	4			510	784	80	BBER12	BBER12A	BBERS12	BBERS12A
4,5	7,5	4,1	4			578	892	103	BBER16	BBER16A	BBERS16	BBERS16A
5,5	9	5,1	5	15	15	862	1 370	182	BBER20	BBER20A	BBERS20	BBERS20A
5,5	9	5,1	6			980	1 570	335	BBER25	BBER25A	BBERS25	BBERS25A
6,6	11	6,1	6			1 570	2 740	560	BBER30	BBER30A	BBERS30	BBERS30A
9	14	8,1	6	17	17	2 160	4 020	1 175	BBER40	BBER40A	BBERS40	BBERS40A
9	14	8,1	6			3 820	7 940	1 745	BBER50	BBER50A	BBERS50	BBERS50A
11	17	11,1	6	20	20	4 700	9 800	3 220	BBER60	BBER60A	BBERS60	BBERS60A
11	17	11,1	6			7 350	16 000	6 420	–	BBER80A	–	–

The indicated load ratings are applicable in cases where the load only applies to one row of balls. If, however, the force is shared between two rows of balls, the load capacity is increased by the following factor (refer to table on page 73).



Tandem standard ball bushings

The tandem standard ball bushings of the BBE...L series have the same dimensions and tolerances of the ISO standard ball bushings, however they are twice as long and they are applied where high moment load exists.

The big advantage of this type of ball bushings is that two standard ball bushings may be replaced. Since the concentricity is built in, increased accuracy is achieved and manufacturing costs reduced.

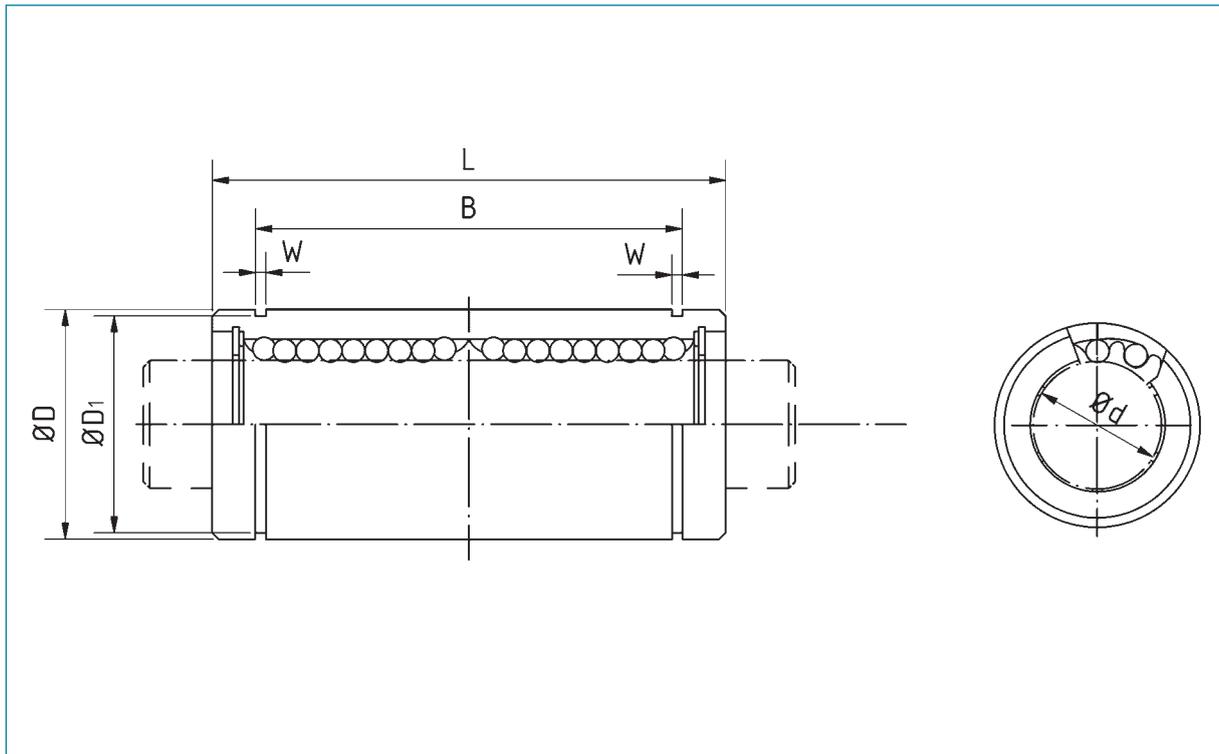


The standard ball bushings can be supplied from stock, with two wiper seals. The required seals are to be included when ordering.

Examples of order reference for a ball bushings with single-sided seal: BBE12LU, BBE12LAU

Examples of order reference for a ball bushings with double-sided seal: BBE12LUU, BBE12LAUU

Order reference				Dimensions [mm]							
Standard		Corrosion-resistant		Ød	Tolerance	ØD	Tolerance	L	Tolerance	B	Tolerance
Plastic cage	Steel cage	Plastic cage	Stainless steel cage								
BBE8L	BBE8LA	BBES8L	BBES8LA	8	+0,009 0	16	0 -0,009	46	0 -0,3	33	0 -0,3
BBE12L	BBE12LA	BBES12L	BBES12LA	12	+0,011 -0,001	22	0 -0,011	61		45,8	
BBE16L	BBE16LA	BBES16L	BBES16LA	16		26	68	49,8			
BBE20L	BBE20LA	BBES20L	BBES20LA	20		32	80	61			
BBE25L	BBE25LA	BBES25L	BBES25LA	25	+0,013 -0,002	40	0 -0,013	112	0 -0,4	82	0 -0,4
BBE30L	BBE30LA	BBES30L	BBES30LA	30	47	123	104,2				
BBE40L	BBE40LA	BBES40L	BBES40LA	40	+0,016 -0,004	62	0 -0,015	151		121,2	
BBE50L	BBE50LA	BBES50L	BBES50LA	50		75	192	155,2			
BBE60L	BBE60LA	BBES60L	BBES60LA	60		90	209	170			



Dimensions [mm]		Rows of balls	max. eccentricity [µm]	dynamic load rating [N]	static load rating [N]	Weight [g]	Order reference			
W	ØD1						Standard		Corrosion-resistant	
							Plastic cage	Steel cage	Plastic cage	Stainless steel cage
1,1	15,2	4	15	421	804	40	BBE8L	BBE8LA	BBES8L	BBES8LA
1,3	21	4		813	1 570	80	BBE12L	BBE12LA	BBES12L	BBES12LA
1,3	24,9	4		921	1 780	115	BBE16L	BBE16LA	BBES16L	BBES16LA
1,6	30,3	5	17	1 370	2 740	180	BBE20L	BBE20LA	BBES20L	BBES20LA
1,85	37,5	6		1 570	3 140	430	BBE25L	BBE25LA	BBES25L	BBES25LA
1,85	44,5	6		2 500	5 490	615	BBE30L	BBE30LA	BBES30L	BBES30LA
2,15	59	6	20	3 430	8 040	1 400	BBE40L	BBE40LA	BBES40L	BBES40LA
2,65	72	6		6 080	15 900	2 320	BBE50L	BBE50LA	BBES50L	BBES50LA
3,15	86,5	6		25	7 550	20 000	3 920	BBE60L	BBE60LA	BBES60L

The indicated load ratings are only applicable in cases where the load is being applied to a single row of balls bearing. If, however, the force is shared between two rows of balls, the load capacity is increased by the following factor (refer to table on page 75).



Tandem flanged standard ball bushings (round)

The ball bushings of the BBER...L series combine the advantages of flanged standard ball bushings with those of tandem ball bushings, since they provide a rigid, aligned linear guidance through their length, allowing the application of a second ball bearing.

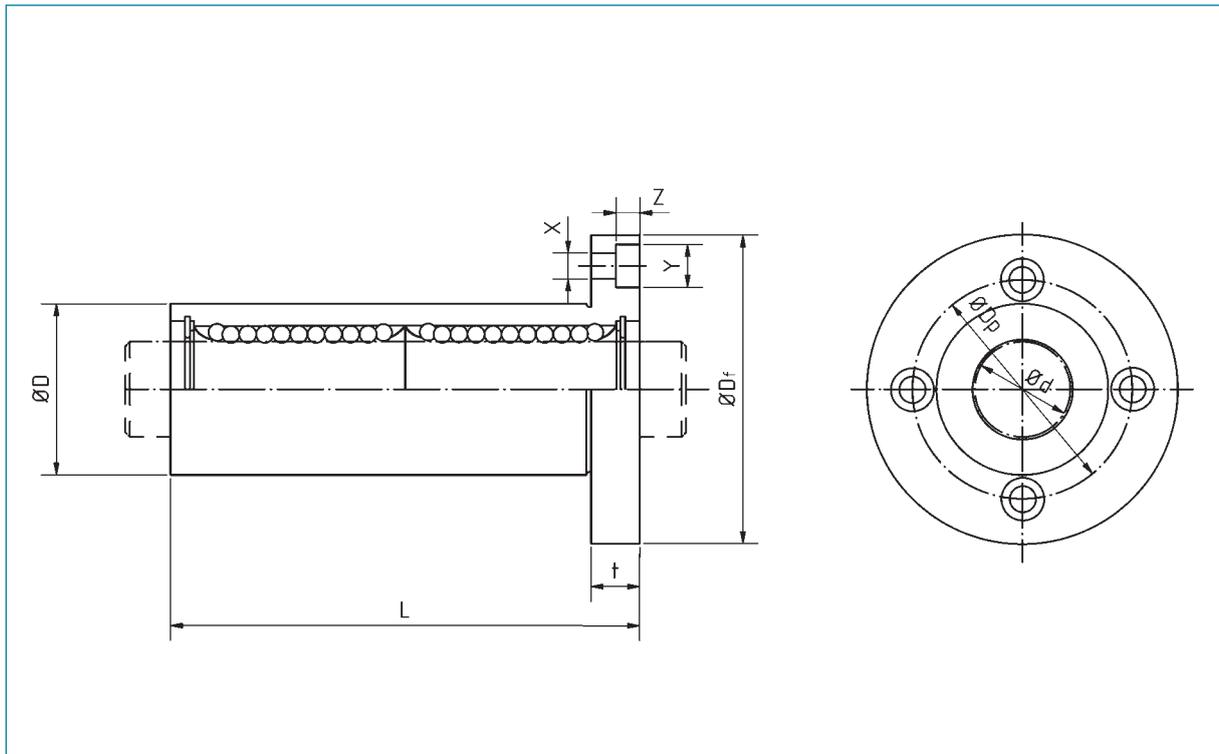


The standard ball bushings can be supplied from stock, with two wiper seals. The required seals are to be included when ordering.

Examples of order reference for a ball bushings with single-sided seal: BBER12LU, BBER12LAU

Examples of order reference for a ball bushings with double-sided seal: BBER12LUU, BBER12LAUU

Order reference				Dimensions [mm]								
Standard		Corrosion-resistant		Ød	Tolerance	ØD	Tolerance	L	Tolerance	ØDf	t	ØDp
Plastic cage	Steel cage	Plastic cage	Stainless steel cage									
BBER8L	BBER8LA	BBERS8L	BBERS8LA	8	+0,009 -0,001	16	0 -0,013	46	±0,3	32	5	24
BBER12L	BBER12LA	BBERS12L	BBERS12LA	12		22	0 -0,016	61		42	6	32
BBER16L	BBER16LA	BBERS16L	BBERS16LA	16	+0,011 -0,001	26	0 -0,019	68		46	6	36
BBER20L	BBER20LA	BBERS20L	BBERS20LA	20		32		80		54	8	43
BBER25L	BBER25LA	BBERS25L	BBERS25LA	25	+0,013 -0,002	40	0 -0,022	112		62	8	51
BBER30L	BBER30LA	BBERS30L	BBERS30LA	30		47		123		76	10	62
BBER40L	BBER40LA	BBERS40L	BBERS40LA	40	+0,016 -0,004	62	0 -0,025	151		98	13	80
BBER50L	BBER50LA	BBERS50L	BBERS50LA	50		75		192		112	13	94
BBER60L	BBER60LA	BBERS60L	BBERS60LA	60		90		209		134	18	112



Dimensions [mm]			Rows of balls	max. eccentricity [µm]	Angular deviation [µm]	dynamic load rating [N]	static load rating [N]	permissible static moment My [Nm]	Weight [g]	Order reference			
X	Y	Z								Standard		Corrosion-resistant	
										Plastic cage	Steel cage	Plastic cage	Stainless steel cage
3,5	6	3,1	4	15	15	421	804	4,3	59	BBER8L	BBER8LA	BBERS8L	BBERS8LA
4,5	7,5	4,1	4			813	1 570	12	110	BBER12L	BBER12LA	BBERS12L	BBERS12LA
4,5	7,5	4,1	4			921	1 780	14	160	BBER16L	BBER16LA	BBERS16L	BBERS16LA
5,5	9	5,1	5	17	17	1 370	2 740	25	260	BBER20L	BBER20LA	BBERS20L	BBERS20LA
5,5	9	5,1	6			1 570	3 140	44	540	BBER25L	BBER25LA	BBERS25L	BBERS25LA
6,6	11	6,1	6			2 500	5 490	78	815	BBER30L	BBER30LA	BBERS30L	BBERS30LA
9	14	8,1	6	20	20	3 430	8 040	147	1 805	BBER40L	BBER40LA	BBERS40L	BBERS40LA
9	14	8,1	6			6 080	15 900	396	2 820	BBER50L	BBER50LA	BBERS50L	BBERS50LA
11	17	11,1	6			7 550	20 000	487	4 920	BBER60L	BBER60LA	BBERS60L	BBERS60LA

The indicated load ratings are only applicable in cases where the load is being applied to a single row of balls. If, however, the force is shared between two rows of balls, the load capacity is increased by the following factor (refer to table on page 75).



Middle flanged standard ball bushings (round)

Tandem ball bushings of the BBERM... series with a middle flange are designed specially for applications in which the shafts are perpendicular to the mounting surface. They remove the need for a housing and simplify the installation.

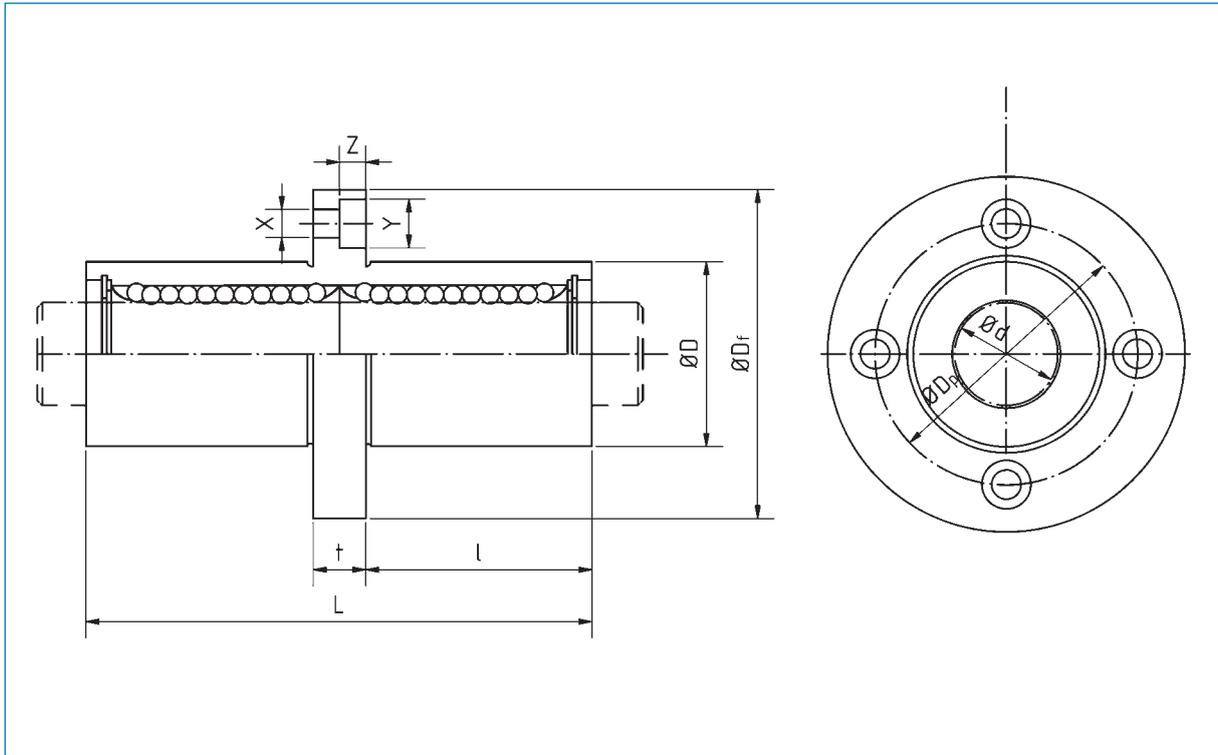


The standard ball bushings can be supplied from stock, with two wiper seals. The required seals are to be included when ordering.

Examples of order reference for a ball bushings with single-sided seal: BBERM12U, BBERM12AU

Examples of order reference for a ball bushings with double-sided seal: BBERM12UU, BBERM12AAU

Order reference				Dimensions [mm]									
Standard		Corrosion-resistant		Ød	Tolerance	ØD	Tolerance	L	Tolerance	l	ØDf	t	ØDp
Plastic cage	Steel cage	Plastic cage	Stainless steel cage										
BBERM8	BBERM8A	BBERMS8	BBERMS8A	8	+0,009 -0,001	16	0 -0,013	46	±0,3	20,5	32	5	24
BBERM12	BBERM12A	BBERMS12	BBERMS12A	12		22	0	61		27,5	42	6	32
BBERM16	BBERM16A	BBERMS16	BBERMS16A	16	+0,011 -0,001	26	-0,016	68		31	46	6	36
BBERM20	BBERM20A	BBERMS20	BBERMS20A	20		32	0	80		36	54	8	43
BBERM25	BBERM25A	BBERMS25	BBERMS25A	25	+0,013 -0,002	40	-0,019	112		52	62	8	51
BBERM30	BBERM30A	BBERMS30	BBERMS30A	30		47	0	123		56,5	76	10	62
BBERM40	BBERM40A	BBERMS40	BBERMS40A	40		62	0	151		69	98	13	80
BBERM50	BBERM50A	BBERMS50	BBERMS50A	50	+0,016 -0,004	75	-0,022	192		89,5	112	13	94
BBERM60	BBERM60A	BBERMS60	BBERMS60A	60		90	0 -0,025	209		95,5	134	18	112



Dimensions [mm]			Rows of balls	max. eccentricity [µm]	Angular deviation [µm]	dynamic load rating [N]	static load rating [N]	permissible statical moment My [Nm]	Weight [g]	Order reference			
X	Y	Z								Standard		Corrosion-resistant	
										Plastic cage	Steel cage	Plastic cage	Stainless steel cage
3,5	6	3,1	4	15	15	421	804	4,3	59	BBERM8	BBERM8A	BBERMS8	BBERMS8A
4,5	7,5	4,1	4			813	1 570	11,7	110	BBERM12	BBERM12A	BBERMS12	BBERMS12A
4,5	7,5	4,1	4			921	1 780	14,2	160	BBERM16	BBERM16A	BBERMS16	BBERMS16A
5,5	9	5,1	5	17	17	1 370	2 740	25	260	BBERM20	BBERM20A	BBERMS20	BBERMS20A
5,5	9	5,1	6			1 570	3 140	44	540	BBERM25	BBERM25A	BBERMS25	BBERMS25A
6,6	11	6,1	6			2 500	5 490	78,9	815	BBERM30	BBERM30A	BBERMS30	BBERMS30A
9	14	8,1	6	20	20	3 430	8 040	147	1 805	BBERM40	BBERM40A	BBERMS40	BBERMS40A
9	14	8,1	6			6 080	15 900	396	2 820	BBERM50	BBERM50A	BBERMS50	BBERMS50A
11	17	11,1	6			7 550	20 000	487	4 920	BBERM60	BBERM60A	BBERMS60	BBERMS60A

The indicated load ratings are only applicable in cases where the load is being applied to a single row of balls. If, however, the force is shared between two rows of balls, the load capacity is increased by the following factor (refer to table on page 75).



JIS dimensions ball bushings, closed

Closed ball bushings of the BB series, according to JIS (metric series, japanese dimension).

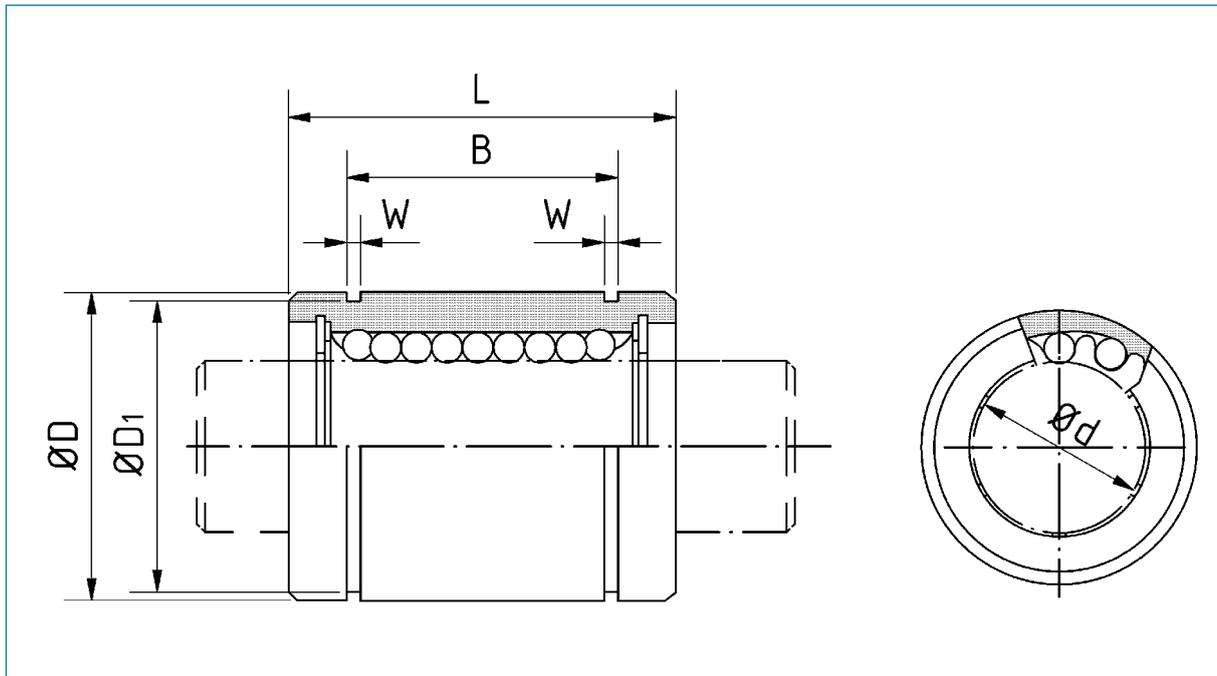


The ball bushings with the order reference printed in **bold** are available ex stock. The required seals are to be included when ordering.

Examples of order reference for a ball bushings with single-sided seal: **BB12U**, **BB12AU**

Examples of order reference for a ball bushings with double-sided seal: **BB12UU**, **BB12AUU**

Order reference				Dimensions [mm]									
Standard		Corrosion-resistant		Ød	Tolerance	ØD	Tolerance	L	Tolerance	B	Tolerance	W	ØD1
Plastic cage	Steel cage	Plastic cage	Edelsteel cage										
BB3	BB3A	BBS3	BBS3A	3	0 -0,008	7	0 -0,009	10	0 -0,12	-	-	-	-
BB4	BB4A	BBS4	BBS4A	4		8		12		-			
BB5	BB5A	BBS5	BBS5A	5		10		15		10,2			
BB6	BB6A	BBS6	BBS6A	6	0 -0,009	12	0 -0,011	19	0 -0,2	13,5	0 -0,2	1,1	9,6
BB8s	BB8sA	BBS8s	BBS8sA	8		15		17		11,5		1,1	11,5
BB8	BB8A	BBS8	BBS8A	8		15		24		17,5		1,1	14,3
BB10	BB10A	BBS10	BBS10A	10		19		29		22		1,3	18
BB12	BB12A	BBS12	BBS12A	12		21		30		23		1,3	20
BB13	BB13A	BBS13	BBS13A	13	0 -0,013	23	-	32	-	23	-	1,3	22
BB16	BB16A	BBS16	BBS16A	16		28		37		26,5		1,6	27
BB20	BB20A	BBS20	BBS20A	20		32		42		30,5		1,6	30,5
BB25	BB25A	BBS25	BBS25A	25	0 -0,010	40	0 -0,016	59	-	41	-	1,85	38
BB30	BB30A	BBS30	BBS30A	30		45		64		44,5		1,85	43
BB35	BB35A	BBS35	BBS35A	35	0 -0,012	52	0 -0,019	70	0 -0,3	49,5	0 -0,3	2,1	49
BB40	BB40A	BBS40	BBS40A	40		60		80		60,5		2,1	57
BB50	BB50A	BBS50	BBS50A	50		80		100		74		2,6	76,5
BB60	BB60A	BBS60	BBS60A	60	0 -0,015	90	0 -0,022	110	-	85	-	3,15	86,5
BB80	BB80A	BBS80	BBS80A	80	120	140	105,5	4,15		116			
-	BB100A	-	-	100	0 -0,020	150	0 -0,025	175		0 -0,4		125,5	0 -0,4
-	BB120A	-	-	120	0 -0,025	180	0 -0,029	200	0 -0,4	158,6	0 -0,4	4,15	175
--	BB150A	-	-	150	0 -0,025	210	0 -0,029	240	0 -0,4	170,6	0 -0,4	5,15	204



Rows of balls	max. eccentricity [μm]	max. radial clearance [μm]	dynamic load rating [N]	static load rating [N]	Weight [g]	Order reference			
						Standard		Corrosion-resistant	
						Plastic cage	Steel cage	Plastic cage	Stainless steel cage
4	8	-3	69	105	1,4	BB3	BB3A	BBS3	BBS3A
4			88	127	2	BB4	BB4A	BBS4	BBS4A
4			167	206	4	BB5	BB5A	BBS5	BBS5A
4	12		206	265	8,5	BB6	BB6A	BBS6	BBS6A
4			176	216	11	BB8s	BB8sA	BBS8s	BBS8sA
4			274	392	17	BB8	BB8A	BBS8	BBS8A
4		372	594	36	BB10	BB10A	BBS10	BBS10A	
4	15	-4	510	784	42	BB12	BB12A	BBS12	BBS12A
4			510	784	49	BB13	BB13A	BBS13	BBS13A
4			774	1 180	76	BB16	BB16A	BBS16	BBS16A
5	20	-6	882	1 370	100	BB20	BB20A	BBS20	BBS20A
6			980	1 570	240	BB25	BB25A	BBS25	BBS25A
6	25	-8	1 570	2 740	270	BB30	BB30A	BBS30	BBS30A
6			1 670	3 140	425	BB35	BB35A	BBS35	BBS35A
6			2 160	4 020	654	BB40	BB40A	BBS40	BBS40A
6	30	-10	3 820	7 940	1 700	BB50	BB50A	BBS50	BBS50A
6			4 700	10 000	2 000	BB60	BB60A	BBS60	BBS60A
6	40	-13	7 350	16 000	4 520	BB80	BB80A	BBS80	BBS80A
6			14 100	34 800	8 600	-	BB100A	-	-
8	30	-20	16 400	40 000	15 000	-	BB120A	-	-
8			21 100	54 300	20 250	-	BB150A	-	-

The indicated load ratings are only applicable in cases where the load is being applied to a single row of balls. If, however, the force is shared between two rows of balls, the load capacity is increased by the following factor (refer to table on page 75).



Super ball bushings (closed, open)

The super ball bushings of the BBET series according to ISO 10285 are available as an open and a closed model. The super ball bushings have similar dimensions and tolerances as standard ball bushings.

Super ball bushings have crowned track segments which allow misalignments of up to 0.5° to be accommodated. Hence, overloading because of bending (deflection) of the shaft or skew due to inaccuracies of the tooling hole is avoided.

Through the specific construction, higher capacities, smoother operation, as well as a higher permissible operating speed of up to 3 m/s, are obtained.

Because of the self-adjustment, per shaft, at least two super ball bushings should be utilized to avoid tilting.

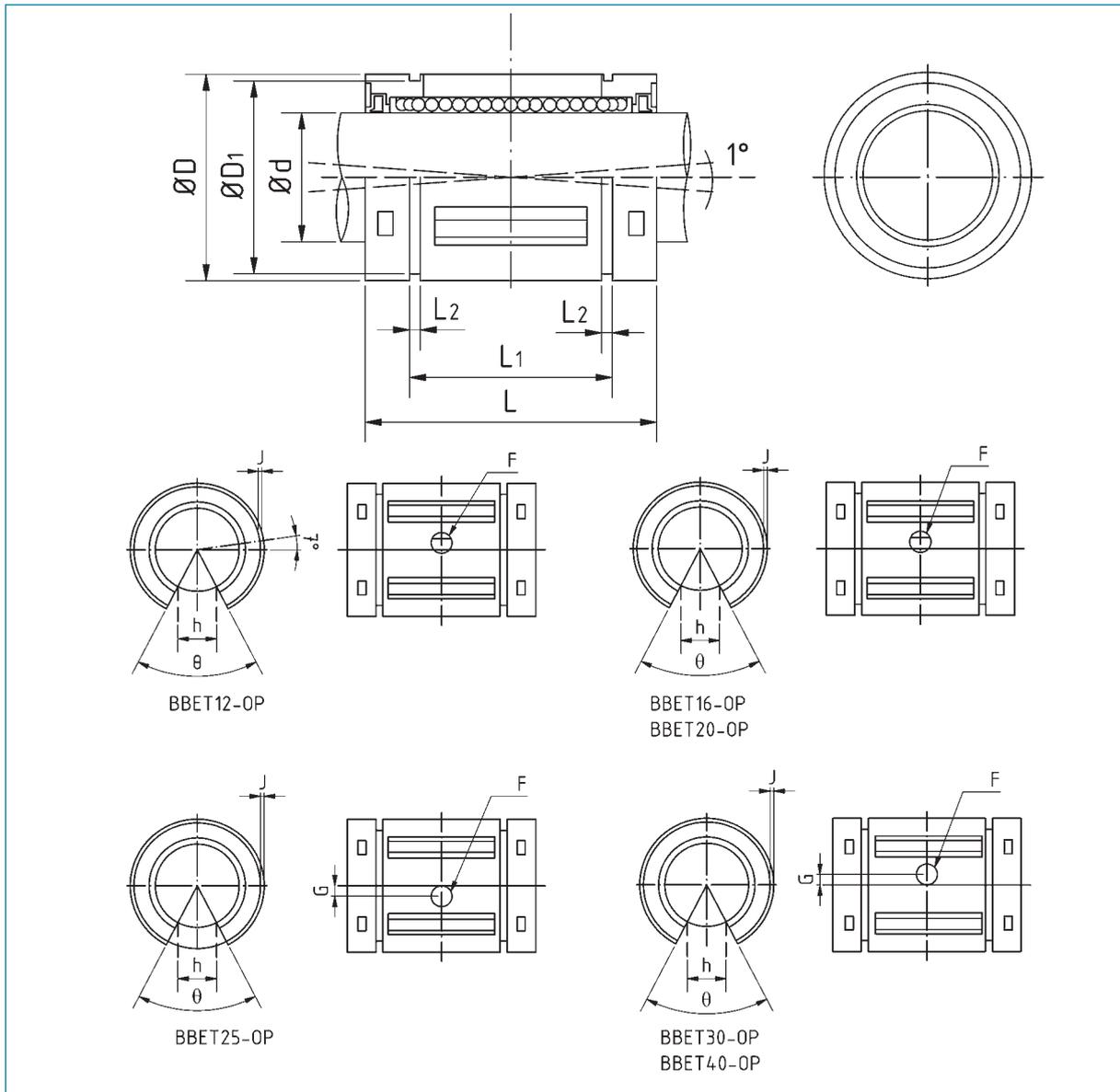


The super ball bushings can be supplied from stock, with two wiper seals.

Examples of order reference for a ball bushings with double-sided seal: BBET12UU, BBET12UU-OP

Optionally, the open super ball bushings with shafts and mounting rails are available (s. pager 60).

Order reference		Dimensions [mm]									
closed	open	Ødr	Tolerance	ØD	L	Tolerance	L1	Tolerance	L2	ØD1	h
BBET8	–	8	+0,008 0	16	25	±0,2	16,5	0 -0,2	1,1	15,2	–
BBET10	–	10		19	29		22		1,3	18	–
BBET12	BBET12-OP	12		22	32		22,9		1,3	21	6,5
BBET16	BBET16-OP	16	+0,009 0,001	26	36		24,9	1,3	24,9	9	
BBET20	BBET20-OP	20		32	45		31,5	1,6	30,3	9	
BBET25	BBET25-OP	25	+0,011 0,001	40	58		44,1	0 -0,3	1,85	37,5	11,5
BBET30	BBET30-OP	30		47	68		52,1		1,85	44,5	14
BBET40	BBET40-OP	40	+0,013 0,002	62	80		60,6		2,15	59	19,5
BBET50	BBET50-OP	50		75	100		77,6		2,65	72	22,5



Dimensions [mm]				Rows of balls		dynamic load rating [N]	static load rating [N]	Weight [g]		Order reference	
θ [°]	FH11	G	J	closed	open			closed	open	closed	open
-	-	-	-	4	-	423	534	7,3	-	BBET8	
-	-	-	-	5	-	750	935	14	-	BBET10	
66	3	-	0,7	5	4	1 020	1 290	21	17	BBET12	BBET12-OP
68		-	1	5	4	1 250	1 550	43	35	BBET16	BBET16-OP
55		-	1	6	5	2 090	2 630	58	48	BBET20	BBET20-OP
57		1,5	1,5	6	5	3 780	4 720	123	103	BBET25	BBET25-OP
57		2	1,7	6	5	5 470	6 810	216	177	BBET30	BBET30-OP
56		1,5	2,4	6	5	6 590	8 230	333	275	BBET40	BBET40-OP
54	5	2,5	2,7	6	5	10 800	13 500	618	520	BBET50	BBET50-OP

The indicated load ratings are only applicable in cases where the load is being applied to a single row of balls. If, however, the force is shared between two rows of balls, the load capacity is increased by the following factor (refer to table on page 75).



Ball sleeves

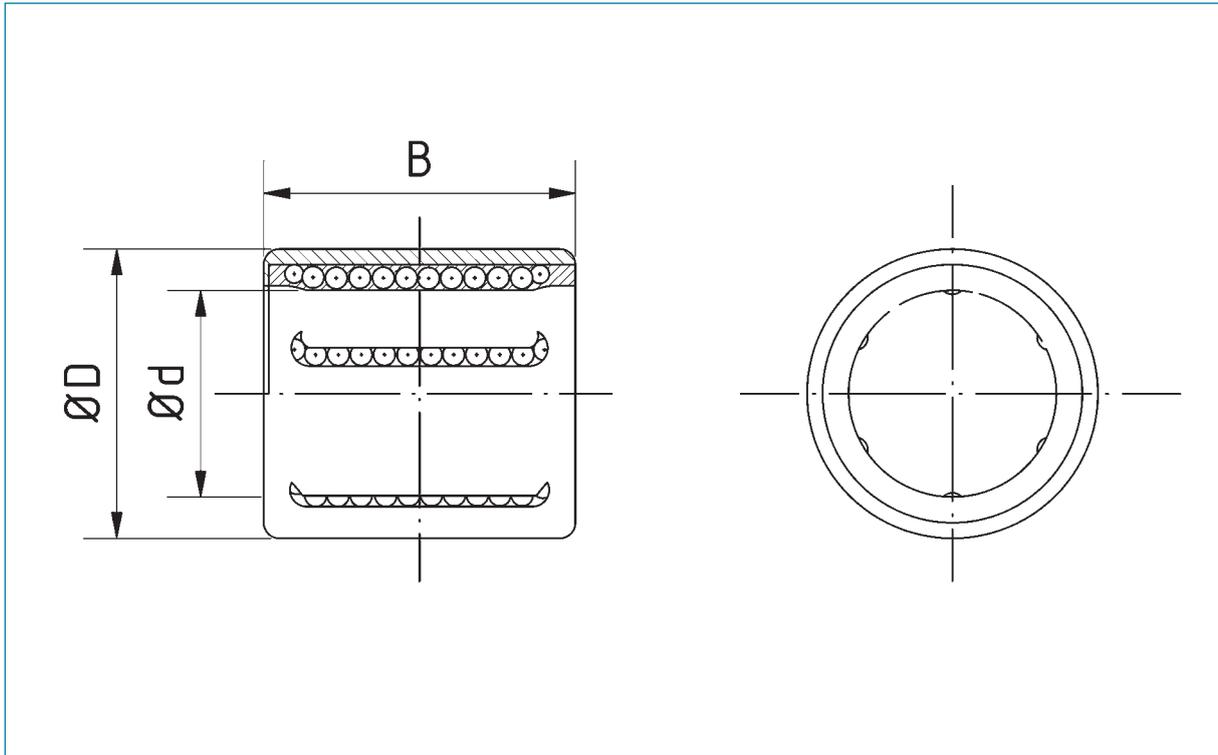
The ball sleeves of the KH series are compact linear ball bearings with small dimensions similar to sleeve bearings.

The balls, circulating in the retainer pass via openings in the outer sleeve, allowing relubrication.



The ball sleeves with the order reference printed in **bold** are also available with two wiper seals. The required seals are to be included when ordering.

Example of order reference for a ball bearing with double-sided seal: **KH1228LL/3AS**



Order reference	Dimensions [mm]			Rows of ball bushings	dynamic load rating [N]	static load rating [N]	Weight [g]
	Ød	ØD	B				
KH1228	12	19	28	5	605	495	18
KH1428	14	21	28	5	600	505	21
KH1630	16	24	30	5	775	600	27
KH2030	20	28	30	6	1 050	880	33
KH2540	25	35	40	6	1 930	1 560	66
KH3050	30	40	50	7	2 700	2 450	95
KH4060	40	52	60	8	4 250	4 000	180
KH5070	50	62	70	9	5 300	5 700	240



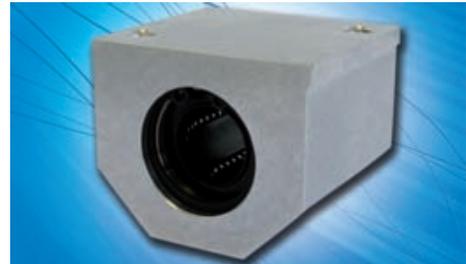
Linear units with standard ball bushings, relubrication

Linear units with standard ball bushings, closed casing

Due to their optimised design, the linear units of the LSE series with a relubrication system offer high precision in any type of installation.

A LSE linear unit consists of the following:

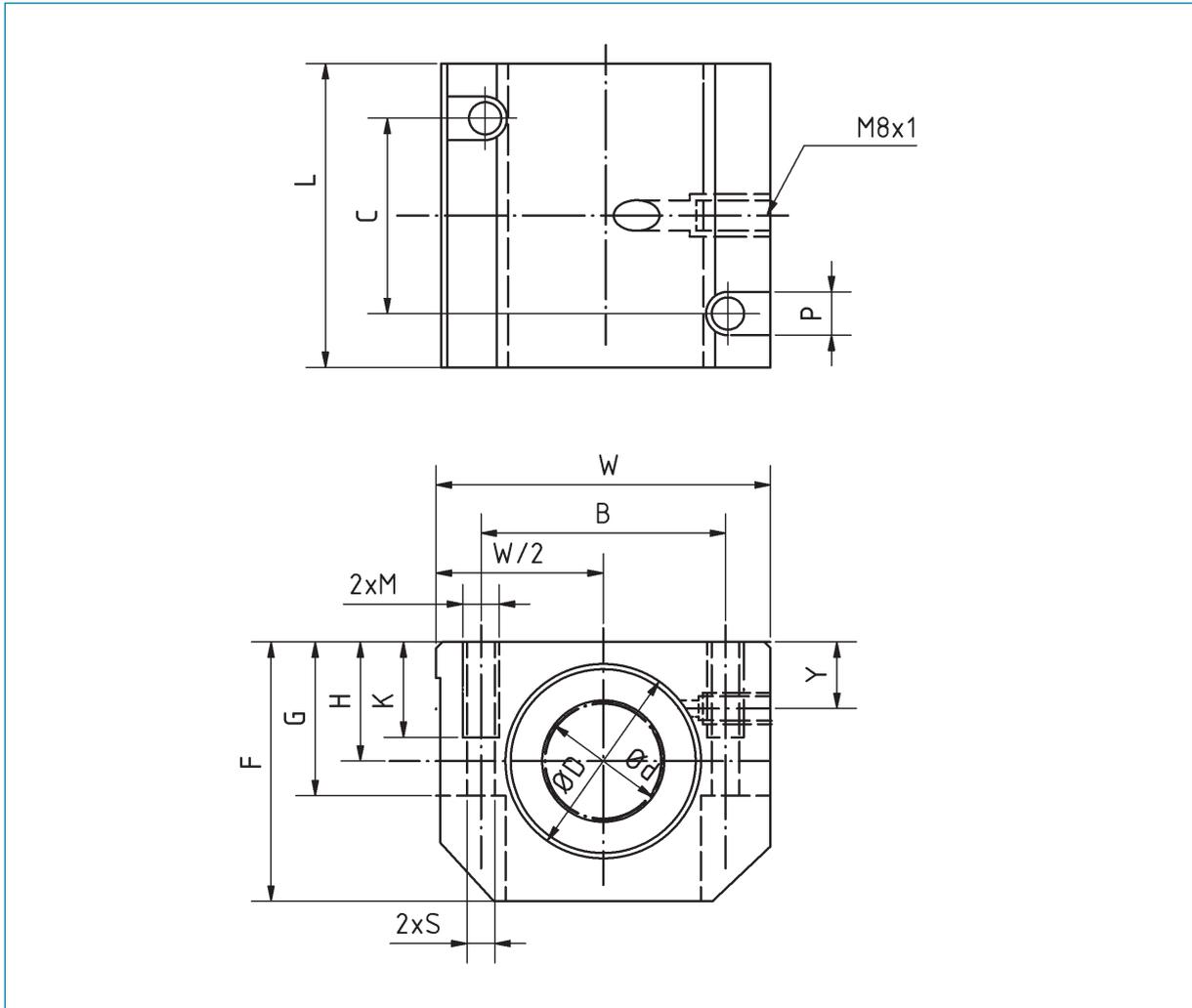
- casing (AlMgSi0,5)
- BBE standard ball bushings
- wiper seals made from NBR



The linear units offer substantial cost advantages to the user, because of reduced construction expense.

The unit construction allows easier integration into installations. Reduced unit weight is obtained by using high grade aluminium, allowing for greater accelerations and higher speeds.

Order reference	Dimensions [mm]										
	Ød	ØD H6	H +0,01 -0,02	W	L +0,3	F	G	Y	B	C	
LSE12UU	12	22	18	43	39	35	25	10	32	23	
LSE16UU	16	26	22	53	43	42	30	12	40	26	
LSE20UU	20	32	25	60	54	50	34	13	45	32	
LSE25UU	25	40	30	78	67	60	40	15	60	40	
LSE30UU	30	47	35	87	79	70	48	16	68	45	
LSE40UU	40	62	45	108	91	90	60	20	86	58	



Dimensions [mm]				dynamic load rating [N]	static load rating [N]	Weight [g]	Order reference
M	P	K	S				
M5	8	11	4,2	510	784	175	LSE12UU
M6	10	13	5,2	578	892	260	LSE16UU
M8	11	18	6,8	862	1 370	442	LSE20UU
M10	15	22	8,6	980	1 570	885	LSE25UU
M10	15	22	8,6	1 570	2 740	1330	LSE30UU
M12	18	26	10,3	2 160	4 020	2 570	LSE40UU



Linear units with standard ball bushings, closed casing and adjustable clearance

The LSE...-AJ series of linear units are used where guidance with pretension or without play is required.

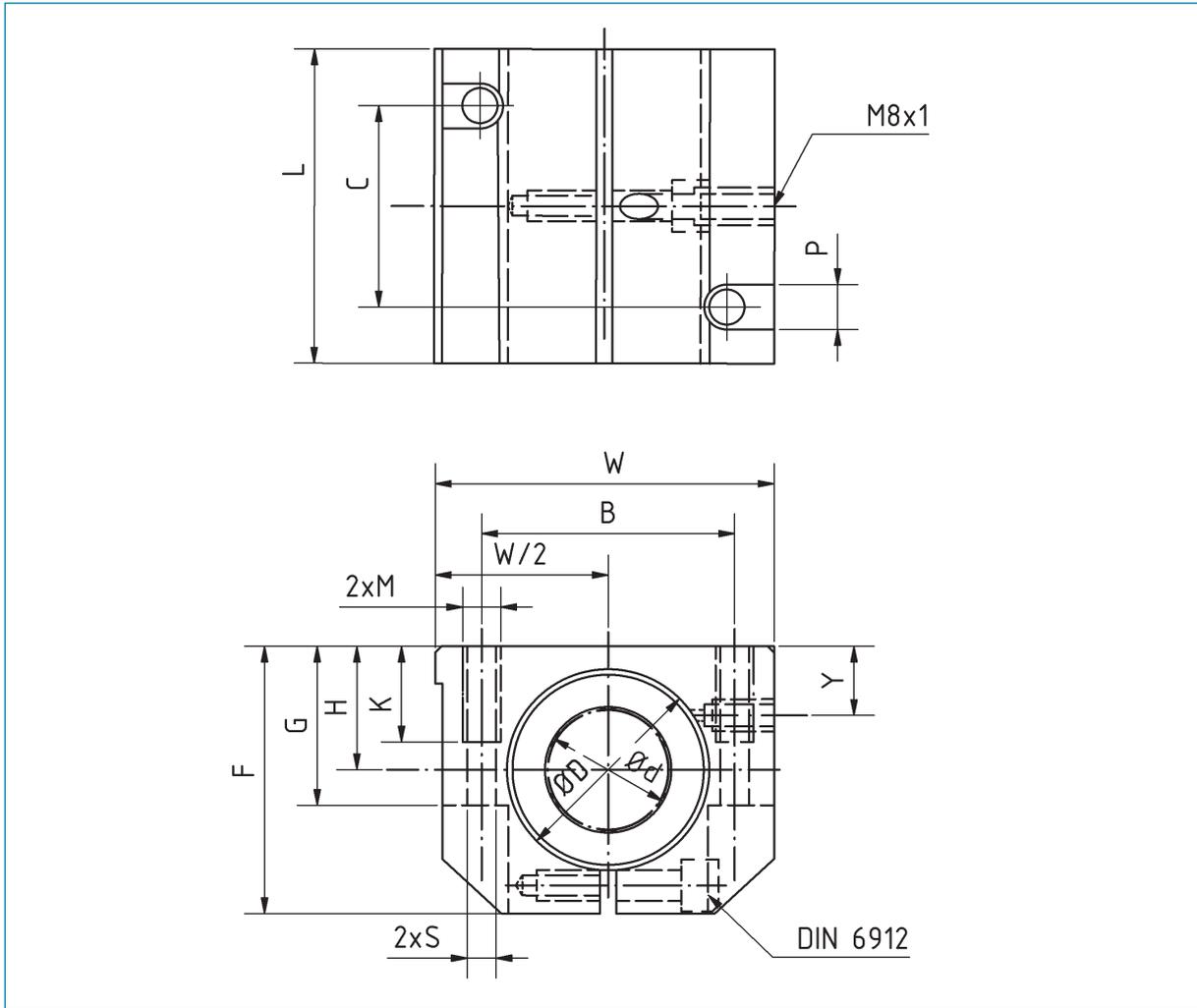
An adjusting screw allows the radial clearance to be set.

A LSE...-AJ linear unit consists of the following:

- casing (AlMgSi0,5)
- BBE...-AJ standard ball bushings
- wiper seals made from NBR



Order reference	Dimensions [mm]										
	Ød	ØD H6	H $\begin{smallmatrix} +0,01 \\ -0,02 \end{smallmatrix}$	W	L $+0,3$	F	G	Y	B	C	
LSE12UU-AJ	12	22	18	43	39	35	25	10	32	23	
LSE16UU-AJ	16	26	22	53	43	42	30	12	40	26	
LSE20UU-AJ	20	32	25	60	54	50	34	13	45	32	
LSE25UU-AJ	25	40	30	78	67	60	40	15	60	40	
LSE30UU-AJ	30	47	35	87	79	70	48	16	68	45	
LSE40UU-AJ	40	62	45	108	91	90	60	20	86	58	



Dimensions [mm]				dynamic load rating [N]	static load rating [N]	Weight [g]	Order reference
M	P	K	S				
M5	8	11	4,2	510	784	175	LSE12UU-AJ
M6	10	13	5,2	578	892	260	LSE16UU-AJ
M8	11	18	6,8	862	1 370	442	LSE20UU-AJ
M10	15	22	8,6	980	1 570	885	LSE25UU-AJ
M10	15	22	8,6	1 570	2 740	1 330	LSE30UU-AJ
M12	18	26	10,3	2 160	4 020	2 570	LSE40UU-AJ



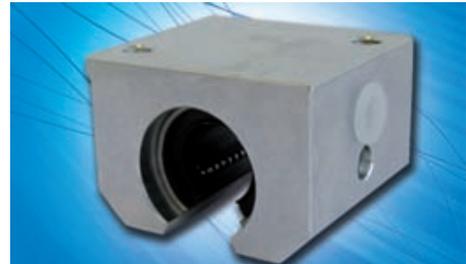
Linear units with standard ball bushings, open casing

The LSE...-OP series of linear units are used on long shafts which are fully supported.

These linear units provide high rigidity and their unit construction allows easier integration into an installation.

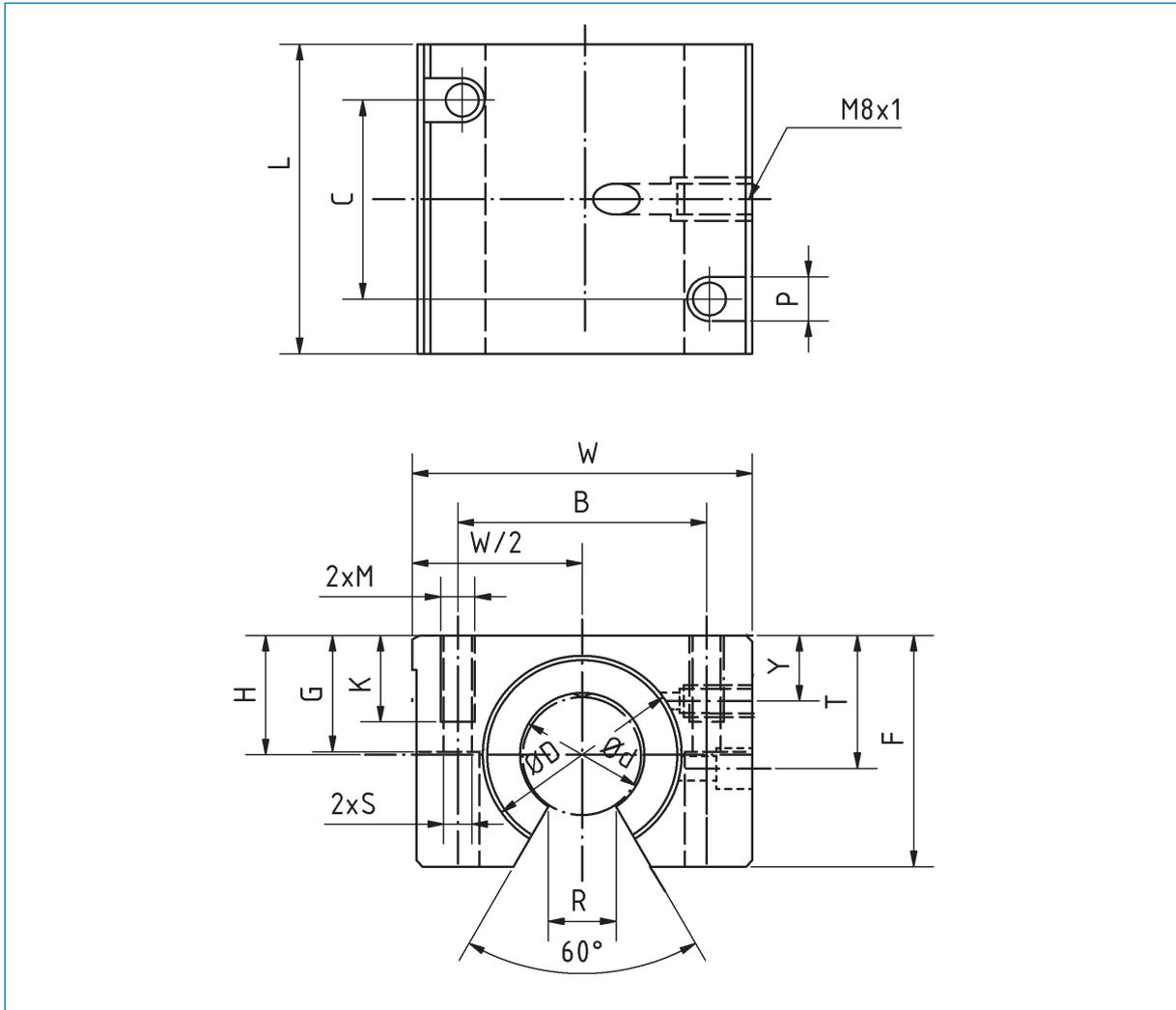
A LSE...-OP linear unit consists of the following:

- casing (AlMgSi0,5)
- BBE...-OP standard ball bushings
- wiper seals made from NBR



Optionally, the linear units are available with shafts and shaft supports (s. page 60).

Order reference	Dimensions [mm]										
	Ød	ØD H6	H $\begin{smallmatrix} +0,01 \\ -0,02 \end{smallmatrix}$	W	L $+0,3$	F	G	Y	T	B	
LSE12UU-OP	12	22	18	43	39	28	23,5	8	16,65	32	
LSE16UU-OP	16	26	22	53	43	35	30	12	22	40	
LSE20UU-OP	20	32	25	60	54	42	34	13	25	45	
LSE25UU-OP	25	40	30	78	67	51	40	15	31,5	60	
LSE30UU-OP	30	47	35	87	79	60	48	16	33	68	
LSE40UU-OP	40	62	45	108	91	77	60	20	43,5	86	



Dimensions [mm]						dynamic load rating [N]	static load rating [N]	Weight [g]	Order reference
C	M	P	K	S	R +0,6				
23	M5	8	11	4,2	7	510	784	145	LSE12UU-OP
26	M6	10	13	5,2	9,4	578	892	218	LSE16UU-OP
32	M8	11	18	6,8	10,2	862	1 370	384	LSE20UU-OP
40	M10	15	22	8,6	12,5	980	1 570	765	LSE25UU-OP
45	M10	15	22	8,6	13,9	1 570	2 740	1 170	LSE30UU-OP
58	M12	18	26	10,3	18	2 160	4 020	2 265	LSE40UU-OP



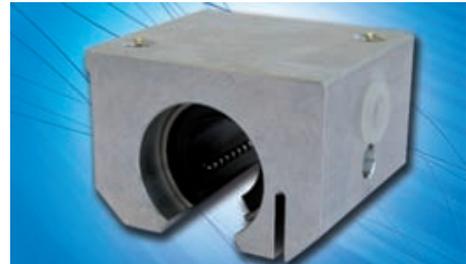
Linear units with standard ball bushings, open casing and adjustable clearance

The LSE...-AO series of linear units are used where guidance with pre-tension or without play is required.

An adjusting screw allows the radial clearance to be set.

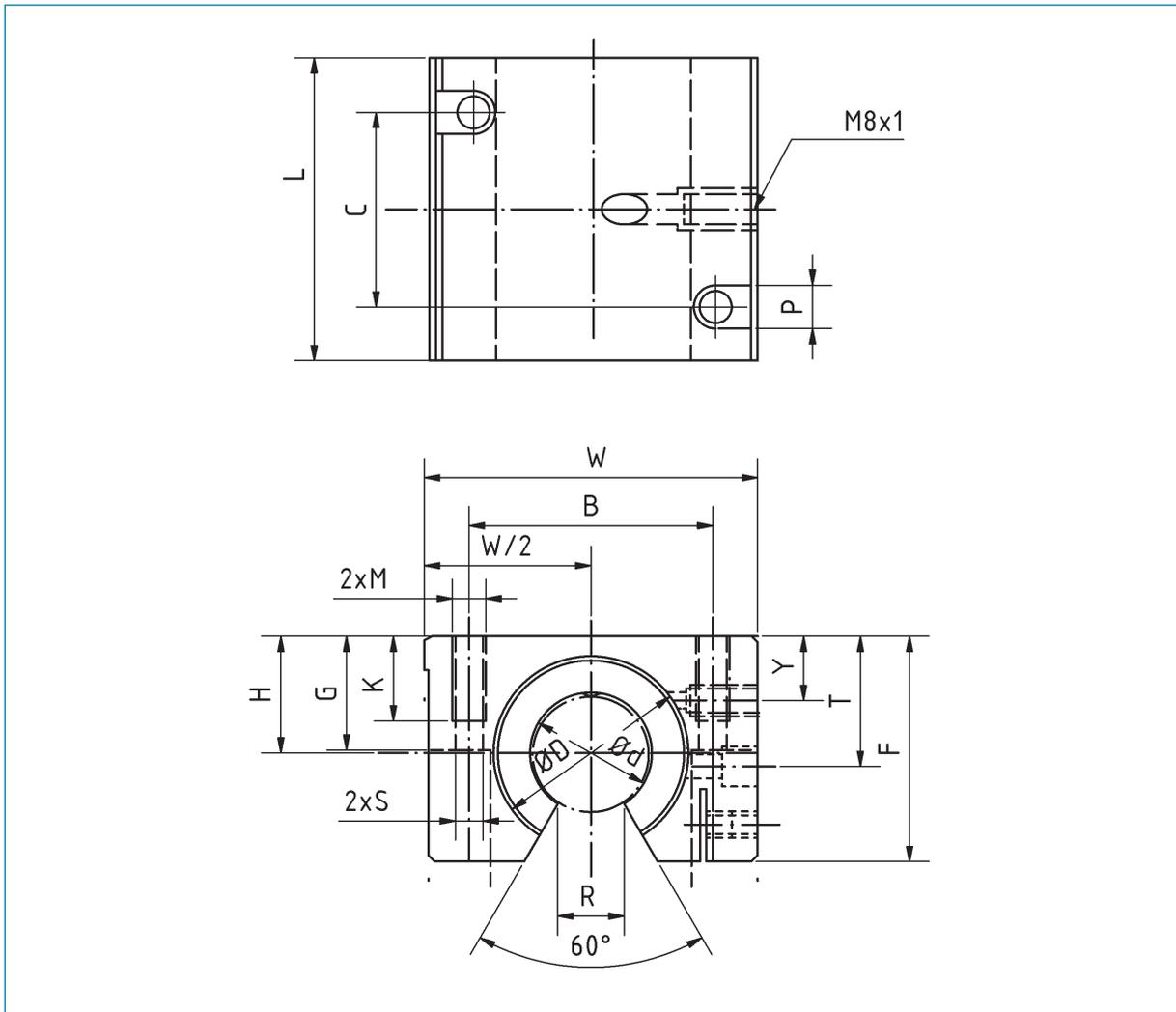
A LSE...-AO linear unit consists of the following:

- casing (AlMgSi0,5)
- BBE...-OP standard ball bushings
- wiper seals made from NBR



Optionally, the linear units are available with shafts and shaft supports.

Order reference	Dimensions [mm]									
	Ød	ØD H6	H $\begin{smallmatrix} +0,01 \\ -0,02 \end{smallmatrix}$	W	L $+0,3$	F	G	Y	T	B
LSE12UU-AO	12	22	18	43	39	28	25	8	16,65	32
LSE16UU-AO	16	26	22	53	43	35	30	12	22	40
LSE20UU-AO	20	32	25	60	54	42	34	13	25	45
LSE25UU-AO	25	40	30	78	67	51	40	15	31,5	60
LSE30UU-AO	30	47	35	87	79	60	48	16	33	68
LSE40UU-AO	40	62	45	108	91	77	60	20	43,5	86



Dimensions [mm]						dynamic load rating [N]	static load rating [N]	Weight [g]	Order reference
C	M	P	K	S	R +0,6				
23	M5	8	11	4,2	7	510	784	145	LSE12UU-A0
26	M6	10	13	5,2	9,4	578	892	218	LSE16UU-A0
32	M8	11	18	6,8	10,2	862	1 370	384	LSE20UU-A0
40	M10	15	22	8,6	12,5	980	1 570	765	LSE25UU-A0
45	M10	15	22	8,6	13,9	1 570	2 740	1 170	LSE30UU-A0
58	M12	18	26	10,3	18	2 160	4 020	2 265	LSE40UU-A0



Linear units with standard ball bushings, casing at one side

Normally, with the open ball bushings design, if the load is applied against the 'open direction', substantial reductions in the load capacity occur.

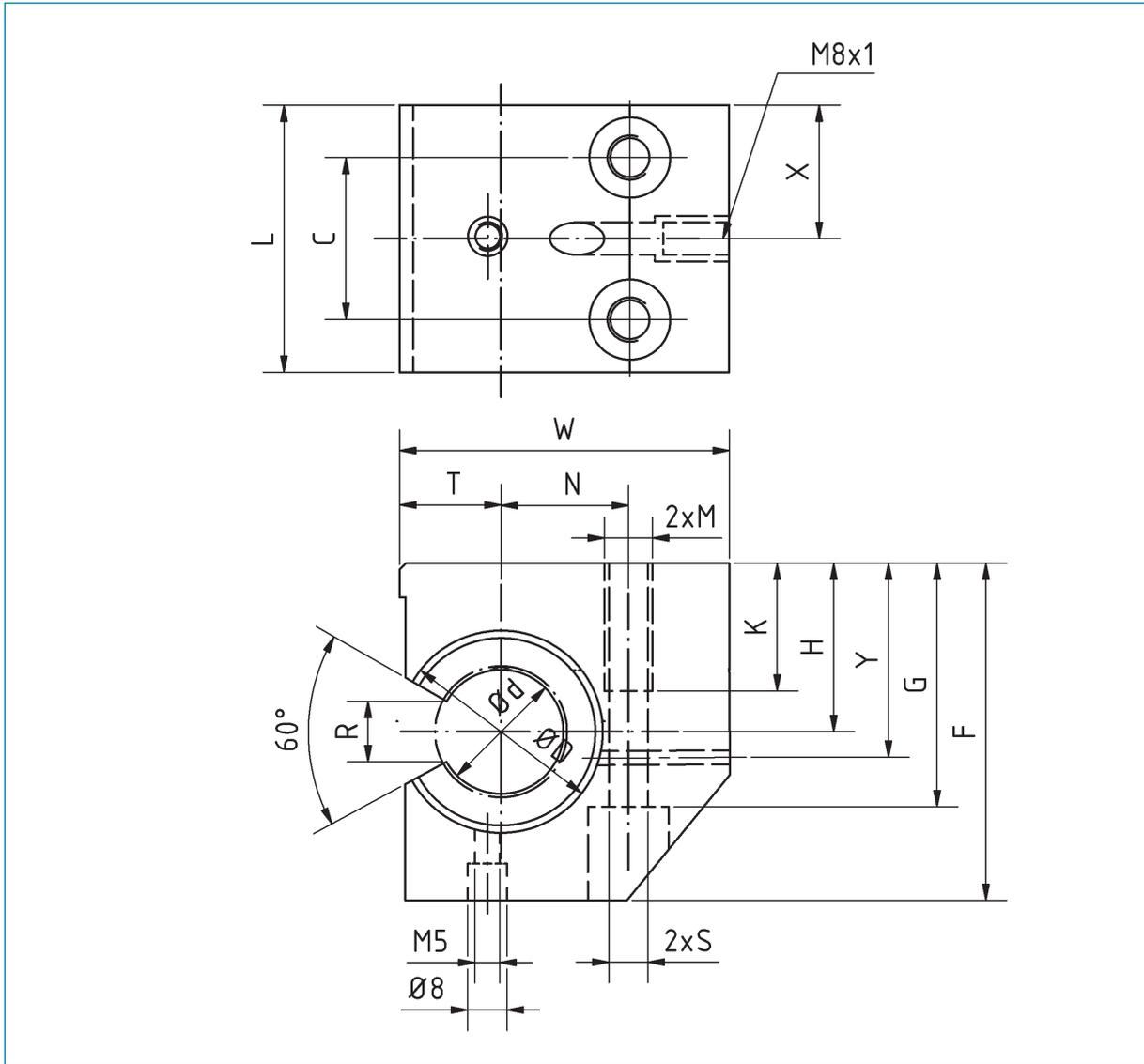
The linear units of the LSE...-SOP series are designed to handle forces in all directions, without a reduction in the load capacity.



A LSE...-SOP linear unit consists of the following:

- casing (AlMgSi0,5)
- BBE...-OP standard ball bushings
- wiper seals made from NBR

Order reference	Dimensions [mm]								
	Ød	ØD H6	H ±0,015	W	L +0,3	F	G	T +0,02 -0,02	C
LSE20UU-SOP	20	32	30	60	54	60	42	17	30
LSE25UU-SOP	25	40	35	75	67	72	50	21	36
LSE30UU-SOP	30	47	40	86	79	82	55	25	42
LSE40UU-SOP	40	62	45	110	91	100	67	32	48



Dimensions [mm]						dynamic load rating [N]	static load rating [N]	Weight [g]	Order reference
M	K	S	R +0,6	X	Y				
M10	22	8,6	10,2	23,5	32	862	1 370	504	LSE20UU-SOP
M12	26	10,3	12,5	29	38	980	1 570	995	LSE25UU-SOP
M16	34	13,5	13,9	34	44	1 570	2 740	1 510	LSE30UU-SOP
M20	43	17,5	18	40	50	2 160	4 020	2 665	LSE40UU-SOP



Linear units with standard ball bushings, casing open on one side and adjustable clearance

Normally, with the open ball bushings design, if the load is applied against the 'open direction', substantial reductions in the load capacity occur.

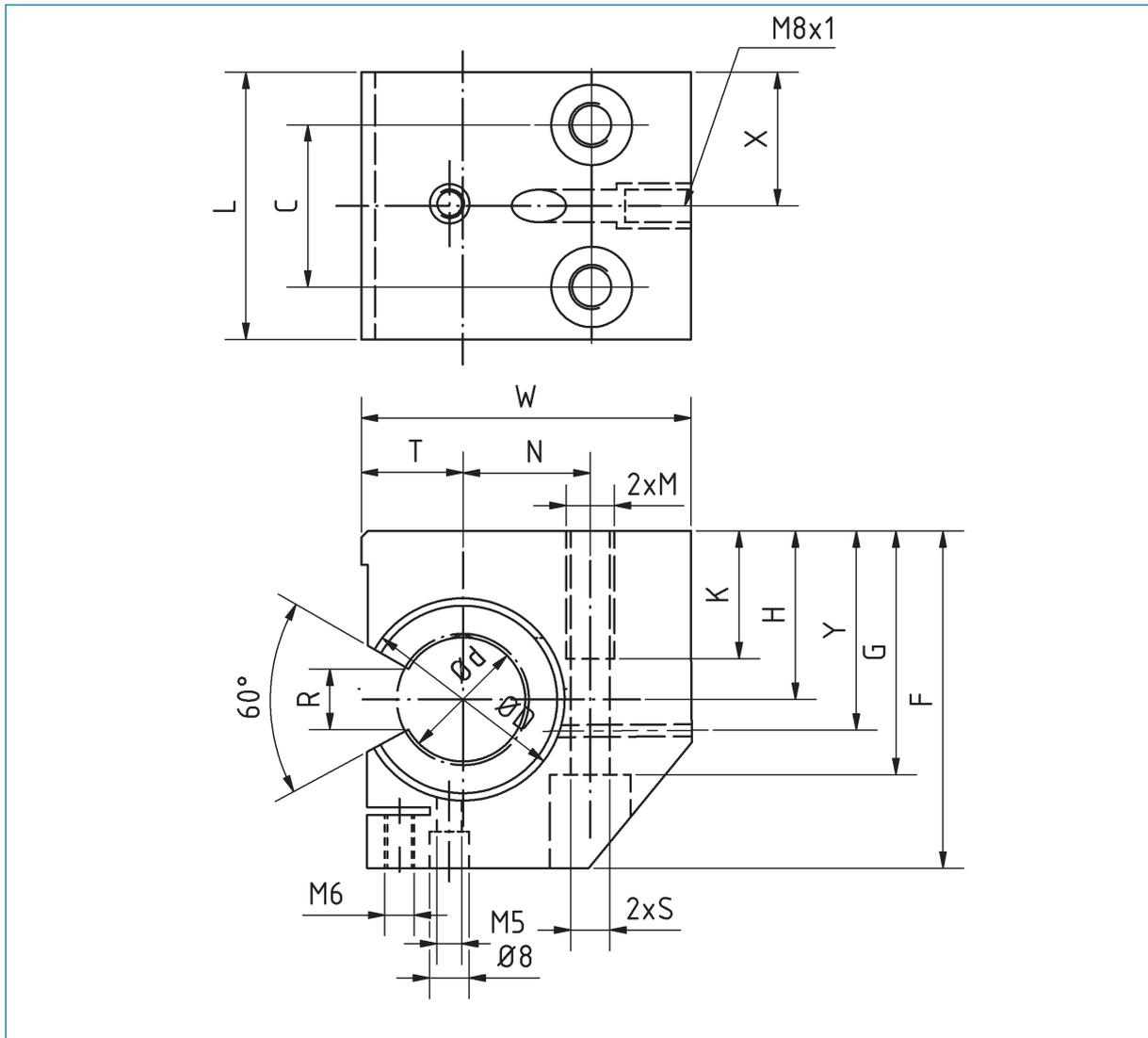
The linear units of the LSE...-SAO series are designed to handle forces in all directions, without a reduction in the load capacity. Radial clearance can be set by means of an adjusting screw.



A LSE...-SAO linear unit consists of the following:

- casing (AlMgSi0,5)
- BBE...-OP standard ball bushings
- wiper seals made from NBR

Order reference	Dimensions [mm]									
	Ød	ØD H6	H ±0,015	W	L +0,3	F	G	T ±0,02	C	
LSE20UU-SA0	20	32	30	60	54	60	42	17	30	
LSE25UU-SA0	25	40	35	75	67	72	50	21	36	
LSE30UU-SA0	30	47	40	86	79	82	55	25	42	
LSE40UU-SA0	40	62	45	110	91	100	67	32	48	

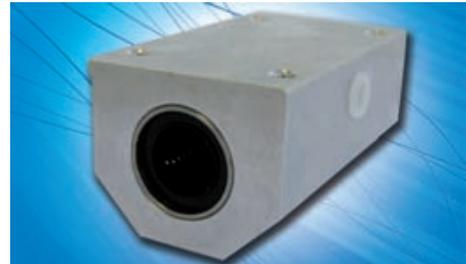


Dimensions [mm]						dynamic load rating [N]	static load rating [N]	Weight [g]	Order reference
M	K	S	R +0,6	X	Y				
M10	22	8,6	10,2	23,5	32	862	1 370	504	LSE20UU-SAO
M12	26	10,3	12,5	29	38	980	1 570	995	LSE25UU-SAO
M16	34	13,5	13,9	34	44	1 570	2 740	1 510	LSE30UU-SAO
M20	43	17,5	18	40	50	2 160	4 020	2 665	LSE40UU-SAO



Tandem linear units with standard ball bushings, closed casing

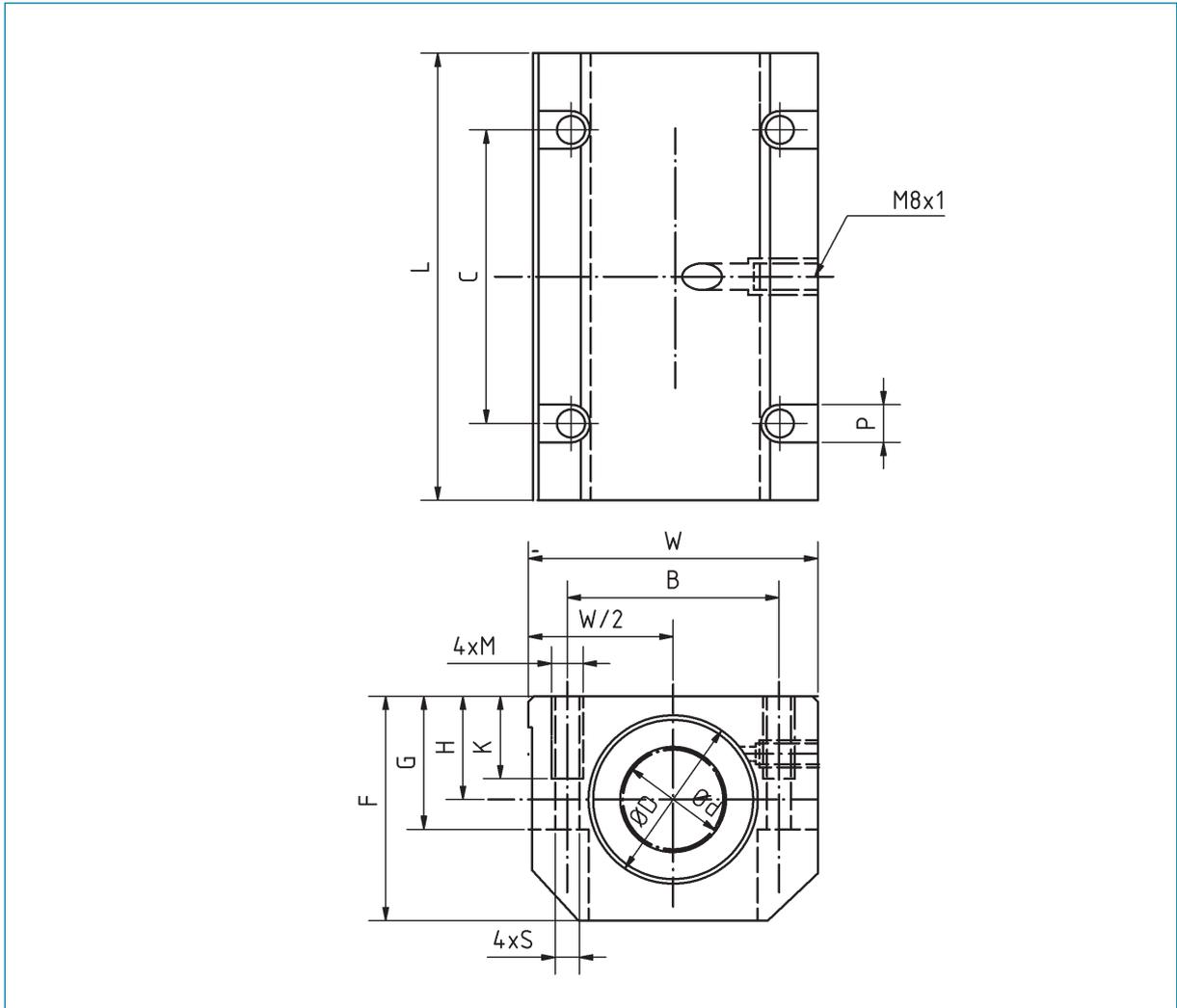
The tandem linear units of the LSE...L series are twice as long as those of the LSE series. They can be utilized in applications where high moment loads exist.



A LSE...L linear unit consists of the following:

- casing (AlMgSi0,5)
- two standard BBE ball bushings
- wiper seals made from NBR

Order reference	Dimensions [mm]									
	Ød	ØD H6	H ^{+0,01} _{-0,02}	W	L ^{+0,3}	F	G	B	C	
LSE12LUU	12	22	18	43	76	35	25	32	56	
LSE16LUU	16	26	22	53	84	42	30	40	64	
LSE20LUU	20	32	25	60	104	50	34	45	76	
LSE25LUU	25	40	30	78	130	60	40	60	94	
LSE30LUU	30	47	35	87	152	70	48	68	106	
LSE40LUU	40	62	45	108	176	90	60	86	124	



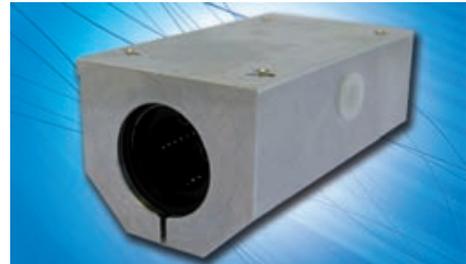
Dimensions [mm]				dynamic load rating [N]	static load rating [N]	Weight [g]	Order reference
M	P	K	S				
M5	8	11	4,2	813	1 570	360	LSE12LUU
M6	10	13	5,2	921	1 780	530	LSE16LUU
M8	11	18	6,8	1 370	2 740	920	LSE20LUU
M10	15	22	8,6	1 570	3 140	1 820	LSE25LUU
M10	15	22	8,6	2 500	5 490	2 730	LSE30LUU
M12	18	26	10,3	3 430	8 040	5 210	LSE40LUU



Tandem linear units with standard ball bushings, closed casing and adjustable clearance

The linear units of the LSE...L-AJ series are twice as long as those of the LSE...AJ series.

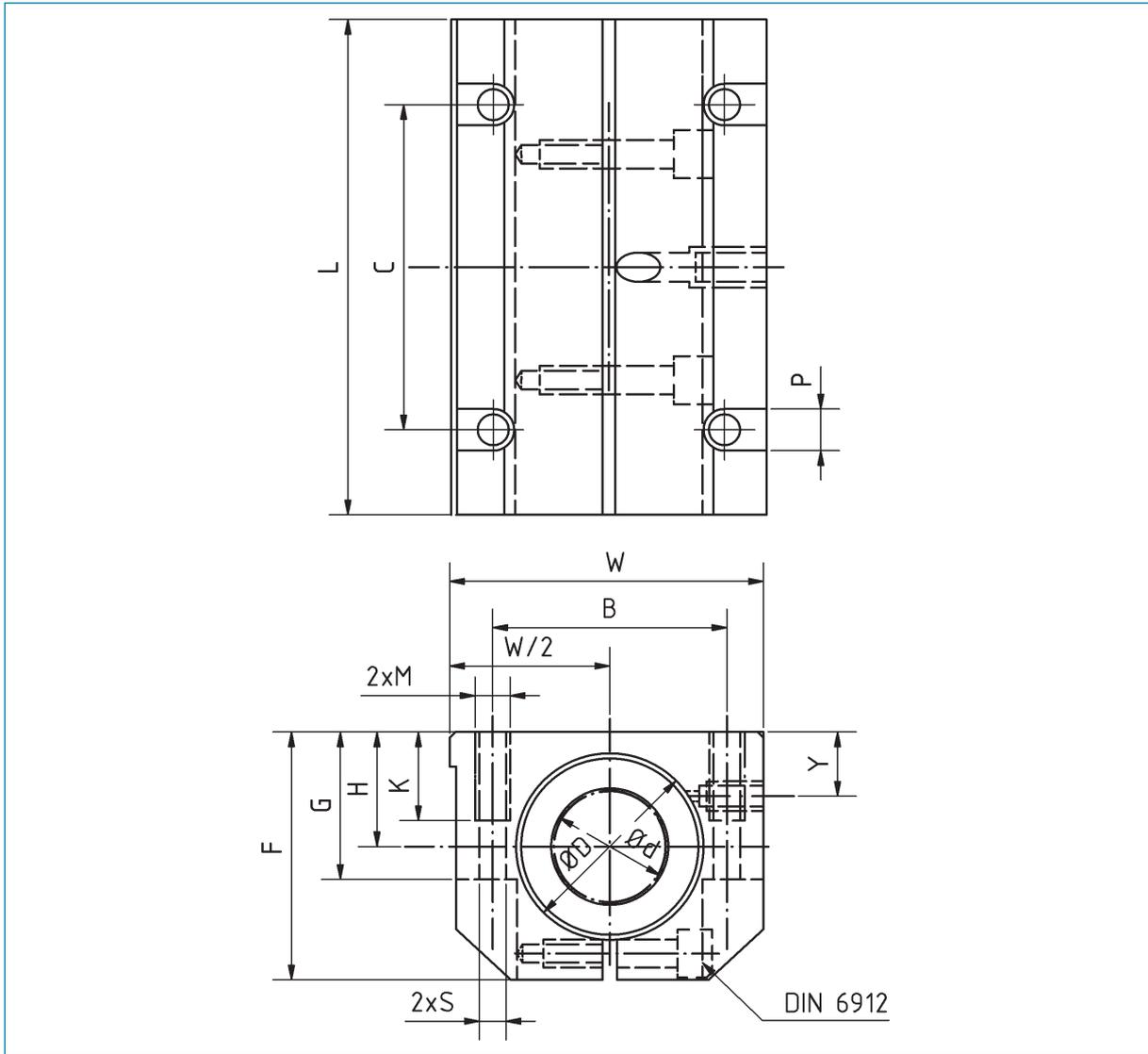
They are utilized where guidance with pretension or without play is required.



A LSE...L-AJ linear unit consists of the following:

- casing (AlMgSi0,5)
- two standard BBE...-AJ ball bushings
- wiper seals made from NBR

Order reference	Dimensions [mm]											
	ød	ØD H6	H	+0,01 -0,02	W	L	+0,3	F	G	Y	B	C
LSE12LUU-AJ	12	22	18		43	76		35	25	10	32	56
LSE16LUU-AJ	16	26	22		53	84		42	30	12	40	64
LSE20LUU-AJ	20	32	25		60	104		50	34	13	45	76
LSE25LUU-AJ	25	40	30		78	130		60	40	15	60	94
LSE30LUU-AJ	30	47	35		87	152		70	48	16	68	106
LSE40LUU-AJ	40	62	45		108	176		90	60	20	86	124



Dimensions [mm]				dynamic load rating [N]	static load rating [N]	Weight [g]	Order reference
M	P	K	S				
M5	8	11	4,2	813	1 570	360	LSE12LUU-AJ
M6	10	13	5,2	921	1 780	530	LSE16LUU-AJ
M8	11	18	6,8	1 370	2 740	920	LSE20LUU-AJ
M10	15	22	8,6	1 570	3 140	1 820	LSE25LUU-AJ
M10	15	22	8,6	2 500	5 490	2 730	LSE30LUU-AJ
M12	18	26	10,3	3 430	8 040	5 210	LSE40LUU-AJ



Tandem linear units with standard ball bushings, open casing

The tandem linear units of the LSE...L-OP series are twice as long as those of the LSE...-OP series.

They can be used where high moment loads exist, on long fully supported shafts.

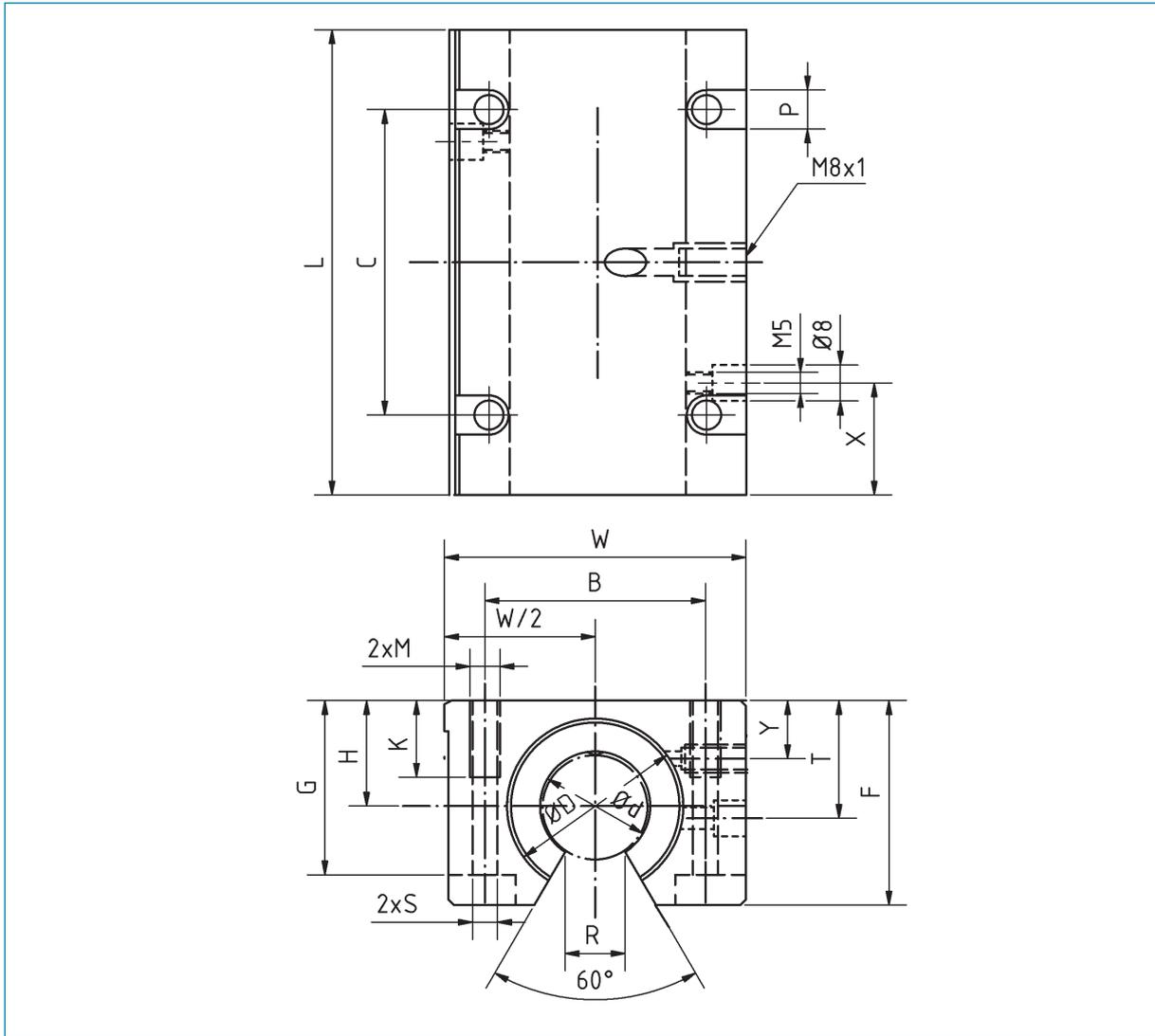


A LSE...L-OP linear unit consists of the following:

- casing (AlMgSi0,5)
- two BBE...-OP standard ball bushings
- wiper seals made from NBR

Optionally, the linear units are available with shafts and shaft supports.

Order reference	Dimensions [mm]										
	Ød	ØD H6	H ^{+0,01} _{-0,02}	W	L ^{+0,3}	F	G	Y	X	T	
LSE12LUU-OP	12	22	18	43	76	30	25	8	19,5	16,65	
LSE16LUU-OP	16	26	22	53	84	35	30	12	21,5	22	
LSE20LUU-OP	20	32	25	60	104	42	34	13	27	25	
LSE25LUU-OP	25	40	30	78	130	51	40	15	33,5	31,5	
LSE30LUU-OP	30	47	35	87	152	60	48	16	39,5	33	
LSE40LUU-OP	40	62	45	108	176	77	60	20	45,5	43,5	



Dimensions [mm]							dynamic load rating [N]	static load rating [N]	Weight [g]	Order reference
B	C	M	P	K	S	R +0,6				
32	56	M5	8	11	4,2	7	813	1 570	290	LSE12LUU-OP
40	64	M6	10	13	5,2	9,4	921	1 780	440	LSE16LUU-OP
45	76	M8	11	18	6,8	10,2	1 370	2 740	790	LSE20LUU-OP
60	94	M10	15	22	8,6	12,9	1 570	3 140	1 560	LSE25LUU-OP
68	106	M10	15	22	8,6	14,4	2 500	5 490	2 300	LSE30LUU-OP
86	124	M12	18	34	10,3	18,2	3 430	8 040	4 500	LSE40LUU-OP



Tandem linear units with standard ball bushings, open casing and adjustable clearance

The linear units of the LSE...L-AO series are twice as long as those of the LSE...AO series.

They are utilized in guidance systems with pre-tension or without play where moment loads exist.

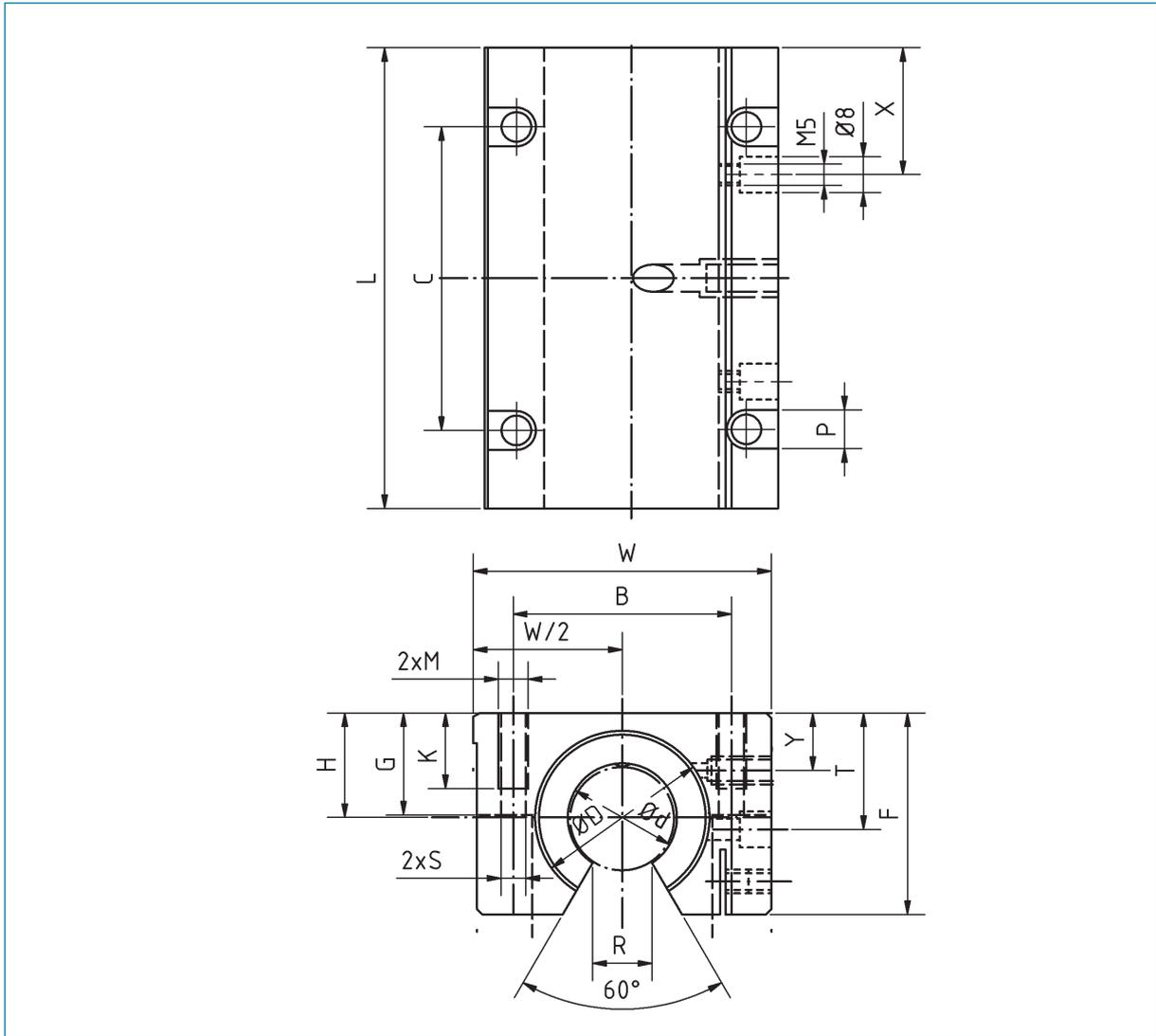


A LSE...L-AO linear unit consists of the following:

- casing (AlMgSi0,5)
- two BBE...-OP standard ball bushings
- wiper seals made from NBR

Optionally, the linear units are available with shafts and shaft supports.

Order reference	Dimensions [mm]											
	ød	ØD H6	H	+0,01 -0,02	W	L	+0,3	F	G	Y	X	T
LSE12LUU-AO	12	22	18		43	76		30	25	8	19,5	16,65
LSE16LUU-AO	16	26	22		53	84		35	30	12	21,5	22
LSE20LUU-AO	20	32	25		60	104		42	34	13	27	25
LSE25LUU-AO	25	40	30		78	130		51	40	15	33,5	31,5
LSE30LUU-AO	30	47	35		87	152		60	48	16	39,5	33
LSE40LUU-AO	40	62	45		108	176		77	60	20	45,5	43,5



Dimensions [mm]							dynamic load rating [N]	static load rating [N]	Weight [g]	Order reference
B	C	M	P	K	S	R +0,6				
32	56	M5	8	11	4,2	7	813	1 570	290	LSE12LUU-A0
40	64	M6	10	13	5,2	9,4	921	1 780	440	LSE16LUU-A0
45	76	M8	11	18	6,8	10,2	1 370	2 740	790	LSE20LUU-A0
60	94	M10	15	22	8,6	12,5	1 570	3 140	1 560	LSE25LUU-A0
68	106	M10	15	22	8,6	13,9	2 500	5 490	2 300	LSE30LUU-A0
86	124	M12	18	26	10,3	18	3 430	8 040	4 500	LSE40LUU-A0



Quadro linear units with standard ball bushings, closed casing

Quadro linear units of the LSE...Q series enable compact and simple table constructions. Details of shaft blocks (slides, supports) can be found on pages 65.



A LSE...Q linear unit consists of the following:

- casing (AlMgSi0,5)
- four BBE standard ball bushings
- wiper seals made from NBR

Order reference	Dimensions [mm]										
	ød	ØD H6	H	+0,01 -0,02	W	L	+0,3	F	Y	A	±0,02
LSE12QUU	12	22	16		85	85		32	13	42	
LSE16QUU	16	26	18		100	100		36	15	54	
LSE20QUU	20	32	23		130	130		46	19	72	
LSE25QUU	25	40	28		160	160		56	24	88	
LSE30QUU	30	47	32		180	180		64	27	96	
LSE40QUU	40	62	40		230	230		80	35	122	



Quadro linear units with standard ball bushings, open casing

Quadro linear units of the LSE...Q-OP series enable compact and simple linear conveying or table constructions.

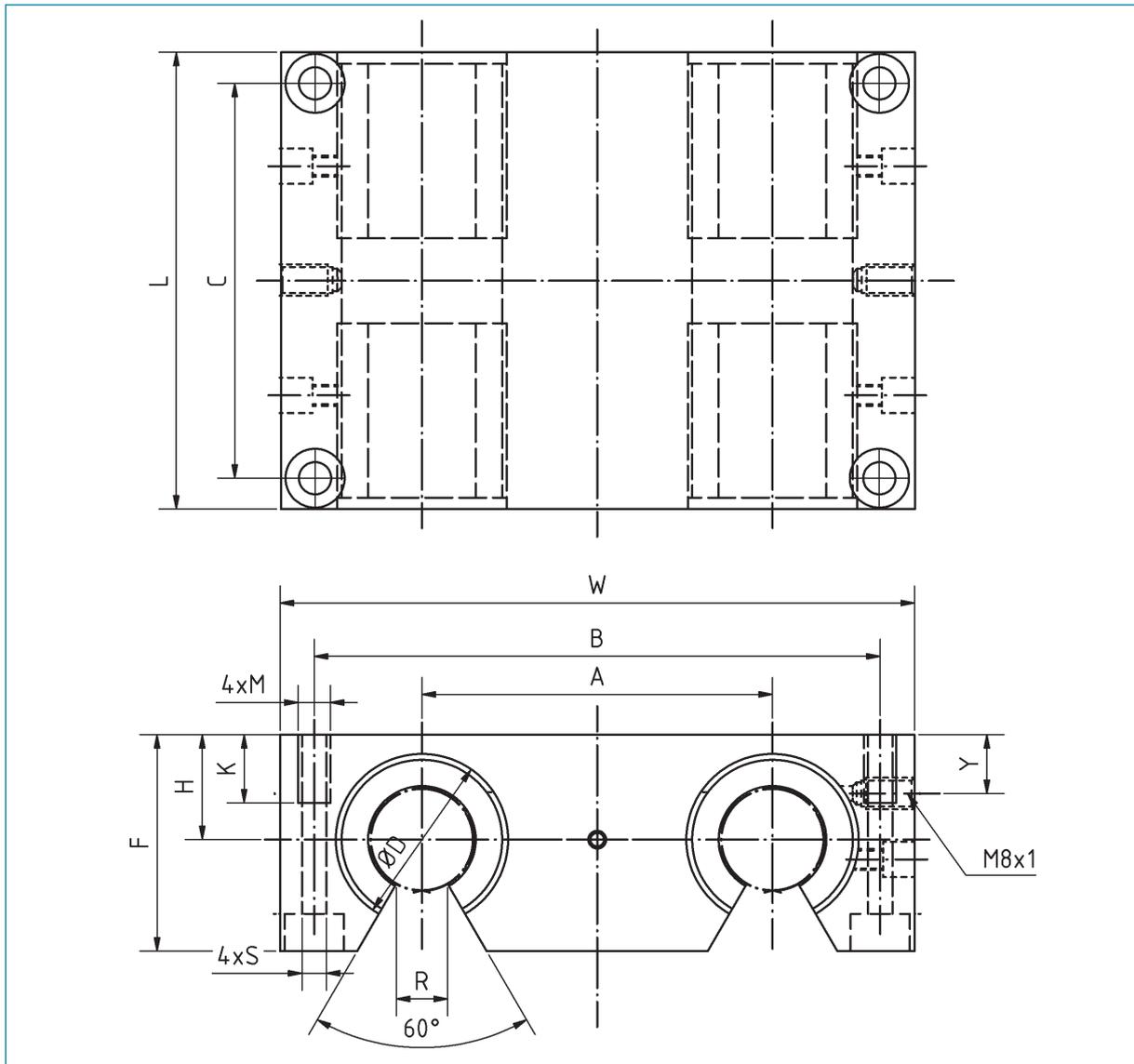


A LSE...Q-OP linear unit consists of the following:

- casing (AlMgSi0,5)
- four BBE...-OP standard ball bushings
- wiper seals made from NBR

Optionally, the linear units are available with shafts, shaft blocks (slides) and shaft supports (s. page 60 and 65).

Order reference	Dimensions [mm]										
	Ød	ØD H6	H	+0,01 -0,02	W	L	+0,3	F	Y	A	±0,02
LSE12QUU-OP	12	22	18		85	85		30	13	42	
LSE16QUU-OP	16	26	22		100	100		35	15	54	
LSE20QUU-OP	20	32	25		130	130		42	19	72	
LSE25QUU-OP	25	40	30		160	160		51	24	88	
LSE30QUU-OP	30	47	35		180	180		60	27	96	
LSE40QUU-OP	40	62	45		230	230		77	35	122	



Dimensions [mm]						dynamic load rating [N]	static load rating [N]	Weight [g]	Order reference
B	C	M	K	S	R				
73	73	M6	13	5,3	7	1 300	2 000	590	LSE12QUU-OP
88	88	M6	13	5,3	9,4	1 400	2 200	920	LSE16QUU-OP
115	115	M8	18	6,8	10,2	3 200	4 900	1 820	LSE20QUU-OP
140	140	M10	22	9	12,9	5 500	8 500	3 460	LSE25QUU-OP
158	158	M12	26	10,5	13,9	6 200	9 500	5 190	LSE30QUU-OP
202	202	M16	34	13,5	18,2	10 500	14 000	10 780	LSE40QUU-OP



Linear units with super ball bushings, relubrication

Linear units with super ball bushings, closed casing

Due to their design, the linear units of the LSET series with a relubrication system offer high precision in any type of installation.

A LSET linear unit consists of the following:

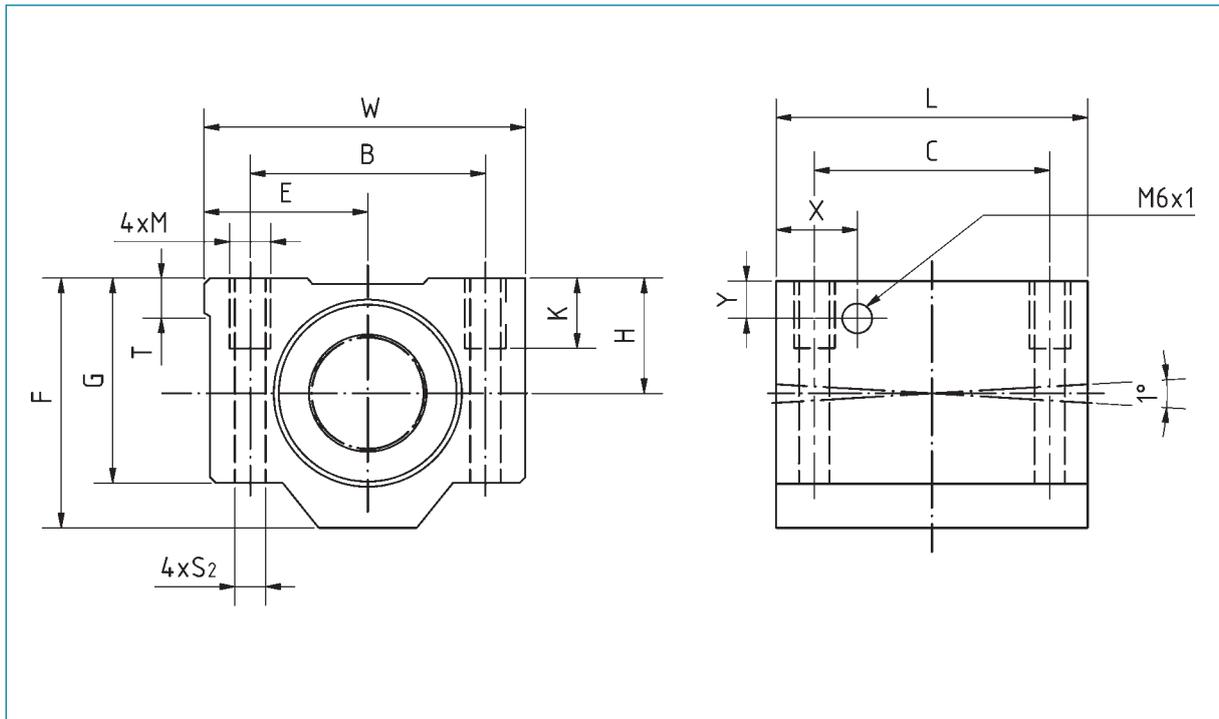
- casing (AlMgSi0,5)
- BBET super ball bushings
- wiper seals made from NBR



The linear units offer substantial cost advantages to the user, because of reduced construction expenses.

The unit construction allows easier integration into installations. Reduced unit weight is obtained by using high grade aluminium, allowing for greater acceleration and higher speeds.

Order reference	Dimensions [mm]									
	Ød	H ±0,015	E ±0,015	W	L	F	G	T	X	Y
LSET8UU	8	15	17,5	35	32	28	22	5	-	-
LSET10UU	10	16	20	40	36	31,5	25	5	-	-
LSET12UU	12	18	21,5	43	39	35	28	5	-	-
LSET16UU	16	22	26,5	53	43	42	35	5	-	-
LSET20UU	20	25	30	60	54	50	42	5	19	9
LSET25UU	25	30	39	78	67	60	48	7	22,5	10
LSET30UU	30	35	43,5	87	79	70	58	8	26	11,5
LSET40UU	40	45	54	108	91	90	72	10	26,5	14



Dimensions [mm]					dynamic load rating [N]	static load rating [N]	Weight [g]	Order reference
B	C	M	K	S				
25	20	M4	9	3,3	423	534	59	LSET8UU
29	20	M5	11	4,3	750	935	90	LSET10UU
32	23	M5	11	4,3	1 020	1 290	116	LSET12UU
40	26	M6	13	5,3	1 250	1 550	205	LSET16UU
45	32	M8	18	6,6	2 090	2 630	326	LSET20UU
60	40	M10	22	8,4	3 780	4 720	624	LSET25UU
68	45	M10	22	8,4	5 470	6 810	980	LSET30UU
86	58	M12	26	10,5	6 590	8 230	1670	LSET40UU



Linear units with super ball bushings, open casing

The linear units of the LSET...-OP series with the re-lubricating option are used on long shafts which are fully supported. They offer a high level of rigidity and handle loads in all directions. The unit design allows for simpler integration into the installations.

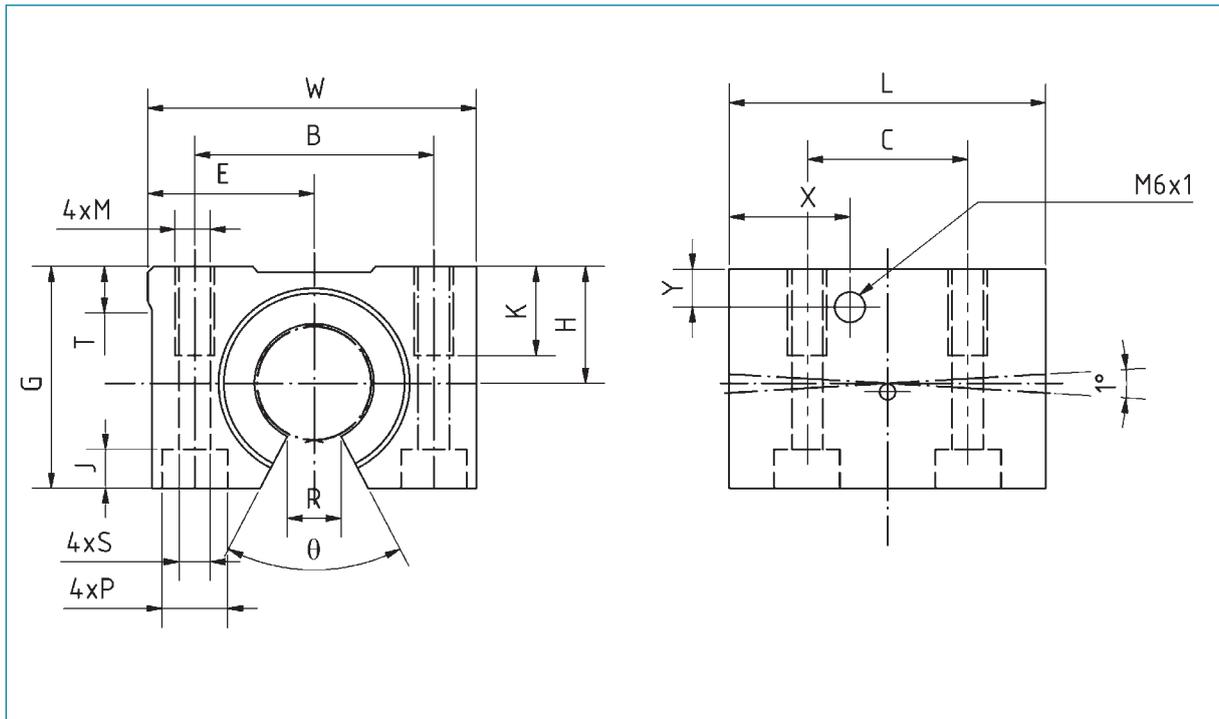


A LSET...-OP linear unit consists of the following:

- casing (AlMgSi0,5)
- a BBET...-OP super ball bushings
- wiper seals made from NBR

Optionally, the linear units are available with shafts and shaft supports.

Order reference	Dimensions [mm]										
	Ød	H ±0,015	E ±0,015	W	L	G	T	R	θ°	X	Y
LSET12UU-OP	12	18	21,5	43	39	28	5	6,5	66	14,5	7,5
LSET16UU-OP	16	22	26,5	53	43	35	5	9	68	15,5	9,5
LSET20UU-OP	20	25	30	60	54	42	5	9	55	19	9
LSET25UU-OP	25	30	39	78	67	51	7	11,5	57	22,5	10
LSET30UU-OP	30	35	43,5	87	79	60	8	14	57	26	11,5
LSET40UU-OP	40	45	54	108	91	77	10	19,5	56	26,5	14



Dimensions [mm]							dynamic load rating [N]	static load rating [N]	Weight [g]	Order reference
B	C	M	K	S	P	J				
32	23	M5	11	4,3	8	4,5	1 020	1 290	99	LSET12UU-OP
40	26	M6	13	5,3	9,5	5,5	1 250	1 550	175	LSET16UU-OP
45	32	M8	18	6,6	11	6,5	2 090	2 630	275	LSET20UU-OP
60	40	M10	22	8,4	14	8,6	3 780	4 720	558	LSET25UU-OP
68	45	M10	22	8,4	14	8,6	5 470	6 810	860	LSET30UU-OP
86	58	M12	26	10,5	17,5	10,8	6 590	8 230	1 490	LSET40UU-OP



Linear units with super ball bushings, open casing and adjustable clearance

The linear units of the LSET...-AO series are used where guidance with pretension or with play is required, Radial clearance can be set by means of an adjusting screw,

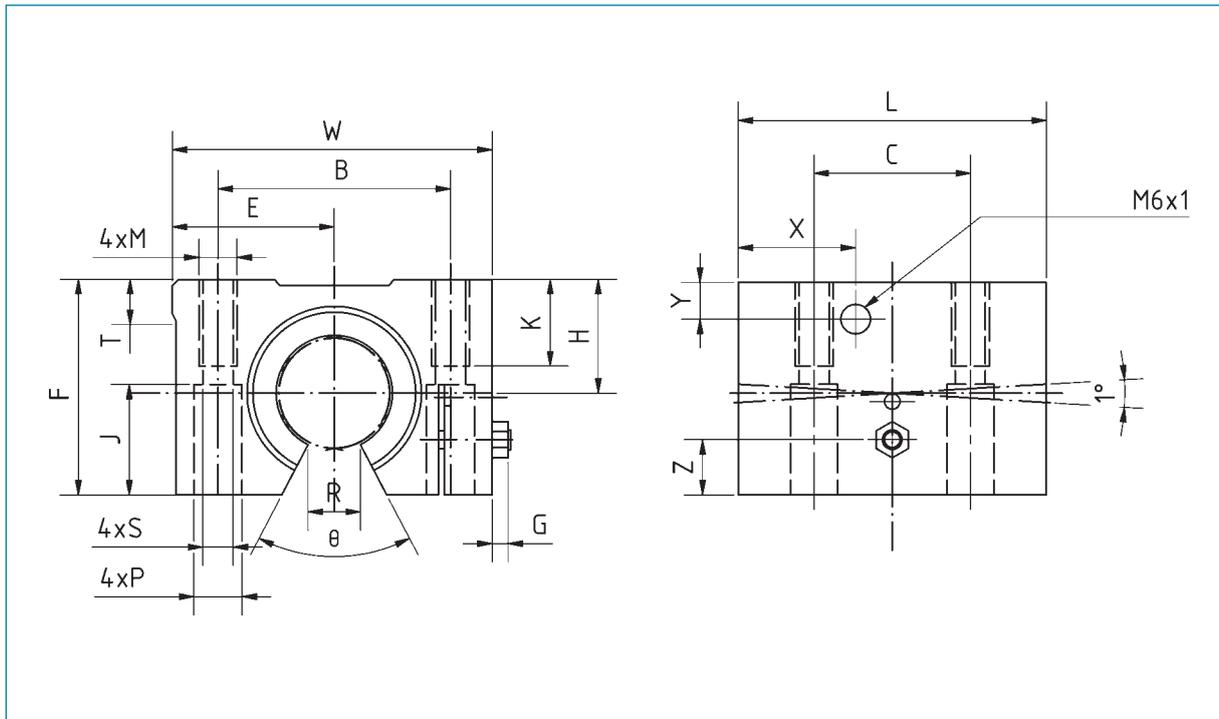


A LSET...-AO linear unit consists of the following:

- casing (AlMgSi0,5)
- a BBET...-OP super ball bushings
- wiper seals made from NBR

Optionally, the linear units are available with shafts and shaft supports.

Order reference	Dimensions [mm]												
	Ød	H ±0,015	E ±0,015	W	L	F	G	Z	T	R	θ°	X	Y
LSET12UU-AO	12	18	21,5	43	39	28	3,2	5	5	6,5	66	14,5	7,5
LSET16UU-AO	16	22	26,5	53	43	35	3,2	6	5	9	68	15,5	9,5
LSET20UU-AO	20	25	30	60	54	42	4,5	8	5	9	55	19	9
LSET25UU-AO	25	30	39	78	67	51	5,5	10	7	11,5	57	22,5	10
LSET30UU-AO	30	35	43,5	87	79	60	5,5	12	8	14	57	26	11,5
LSET40UU-AO	40	45	54	108	91	77	5	15	10	19,5	56	26,5	14



Dimensions [mm]							dynamic load rating [N]	static load rating [N]	Weight [g]	Order reference
B	C	M	K	S	P	J				
32	23	M5	11	4,3	8	11,5	1 020	1 290	99	LSET12UU-A0
40	26	M6	13	5,3	9,5	14	1 250	1 550	175	LSET16UU-A0
45	32	M8	18	6,6	11	18	2 090	2 630	275	LSET20UU-A0
60	40	M10	22	8,4	14	22	3 780	4 720	558	LSET25UU-A0
68	45	M10	22	8,4	14	26	5 470	6 810	860	LSET30UU-A0
86	58	M12	26	10,5	17,5	33	6 590	8 230	1 490	LSET40UU-A0



Tandem linear units with super ball bushings, closed casing

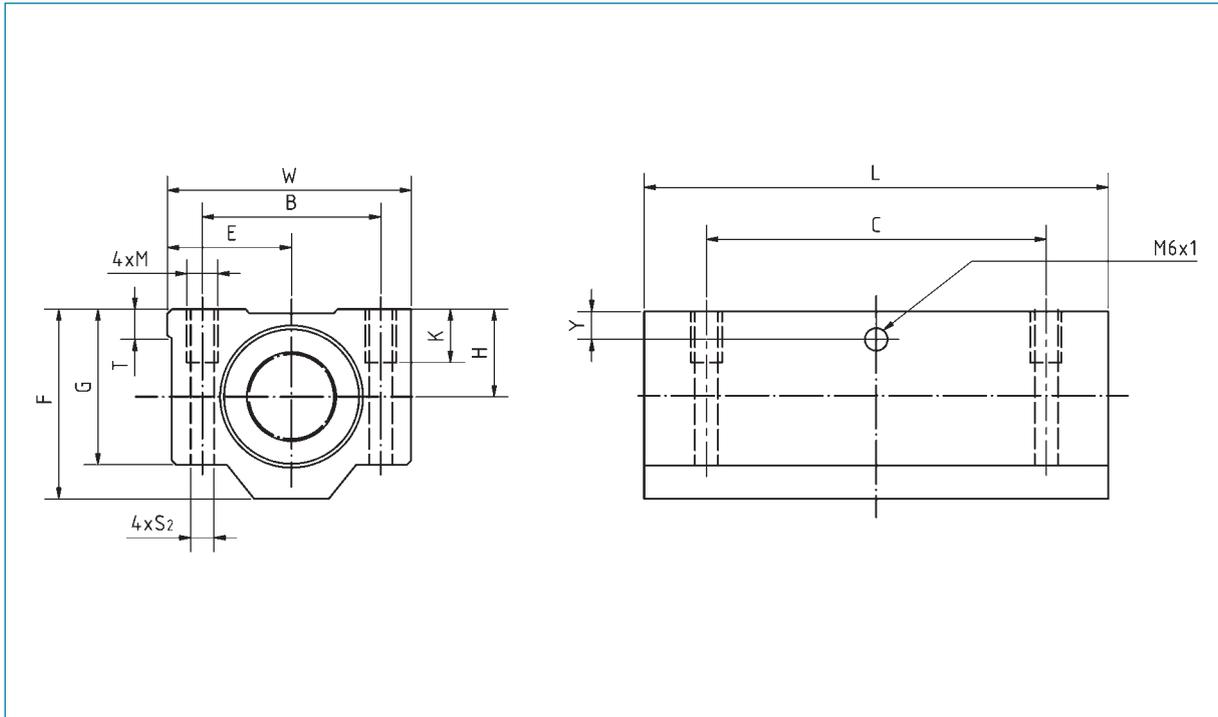
The tandem linear units of the LSET...L series are twice as long as those of the LSET series. They can be used where high moment loads exist.

A LSET...L linear unit consists of the following:

- casing (AlMgSi0,5)
- two BBET super ball bushings
- wiper seals made from NBR



Order reference	Dimensions [mm]								
	Ød	H ±0,015	E ±0,015	W	L	F	G	T	Y
LSET8LUU	8	15	17,5	35	62	28	22	5	6,5
LSET10LUU	10	16	20	40	70	31,5	25	5	7
LSET12LUU	12	18	21,5	43	76	35	28	5	7,5
LSET16LUU	16	22	26,5	53	84	42	35	5	9,5
LSET20LUU	20	25	30	60	104	50	42	5	9
LSET25LUU	25	30	39	78	130	60	48	7	10
LSET30LUU	30	35	43,5	87	152	70	58	8	11,5
LSET40LUU	40	45	54	108	176	90	72	10	14



Dimensions [mm]					dynamic load rating [N]	static load rating [N]	Weight [g]	Order reference
B	C	M	K	S				
25	50	M4	9	3,3	685	1 068	119	LSET8LUU
29	52	M5	11	4,3	1 215	1 870	175	LSET10LUU
32	56	M5	11	4,3	1 652	2 580	227	LSET12LUU
40	64	M6	13	5,3	2 025	3 100	390	LSET16LUU
45	76	M8	18	6,6	3 390	5 260	630	LSET20LUU
60	94	M10	22	8,4	6 120	9 440	1 210	LSET25LUU
68	106	M10	22	8,4	8 860	13 620	1 880	LSET30LUU
86	124	M12	26	10,5	10 680	16 460	3 280	LSET40LUU



Tandem linear units with super ball bushings, open casing

The tandem linear units of the LSET...L-OP series are twice as long as those of the LSET...-OP series. They can be used where high moment loads exist on long shaft which are fully supported.

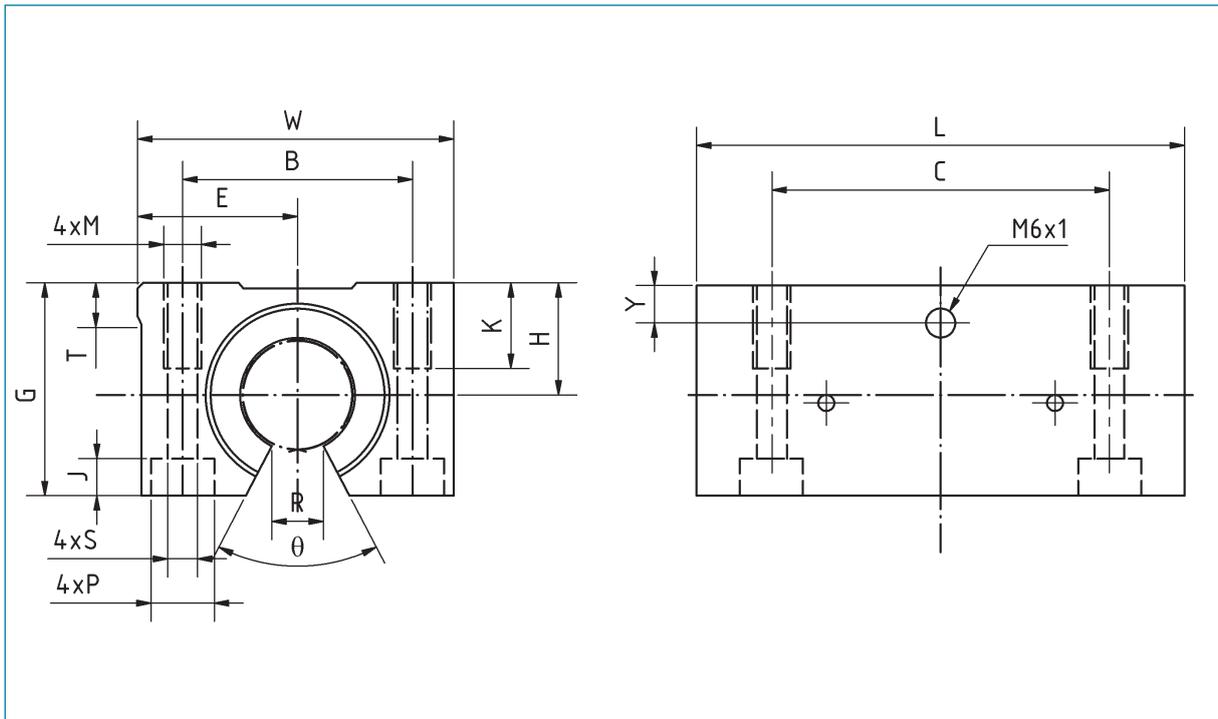


A LSET...L-OP linear unit consists of the following:

- casing (AlMgSi0,5)
- two BBET...-OP super ball bushings
- wiper seals made from NBR

Optionally, the linear units are available with shafts and shaft supports.

Order reference	Dimensions [mm]									
	Ød	H ±0,015	E ±0,015	W	L	G	T	R	θ°	Y
LSET12LUU-OP	12	18	21,5	43	76	28	5	6,5	66	7,5
LSET16LUU-OP	16	22	26,5	53	84	35	5	9	68	9,5
LSET20LUU-OP	20	25	30	60	104	42	5	9	55	9
LSET25LUU-OP	25	30	39	78	130	51	7	11,5	57	10
LSET30LUU-OP	30	35	43,5	87	152	60	8	14	57	11,5
LSET40LUU-OP	40	45	54	108	176	77	10	19,5	56	14



Dimensions [mm]							dynamic load rating [N]	static load rating [N]	Weight [g]	Order reference
B	C	M	K	S	P	J				
32	56	M5	11	4,3	8	4,5	1 652	2 580	190	LSET12LUU-OP
40	64	M6	13	5,3	9,5	5,5	2 025	3 100	312	LSET16LUU-OP
45	76	M8	18	6,6	11	6,5	3 390	5 260	505	LSET20LUU-OP
60	94	M10	22	8,4	14	8,6	6 120	9 440	1 050	LSET25LUU-OP
68	106	M10	22	8,4	14	8,6	8 860	13 620	1 630	LSET30LUU-OP
86	124	M12	26	10,5	17,5	10,8	10 680	16 460	2 880	LSET40LUU-OP



Tandem linear units with super ball bushings, open casing and adjustable clearance

The linear units of the LSET...L-AO series are twice as long as those of the LSET...AO series. They are utilized in guidance systems with pretension or without play where moment loads exist.

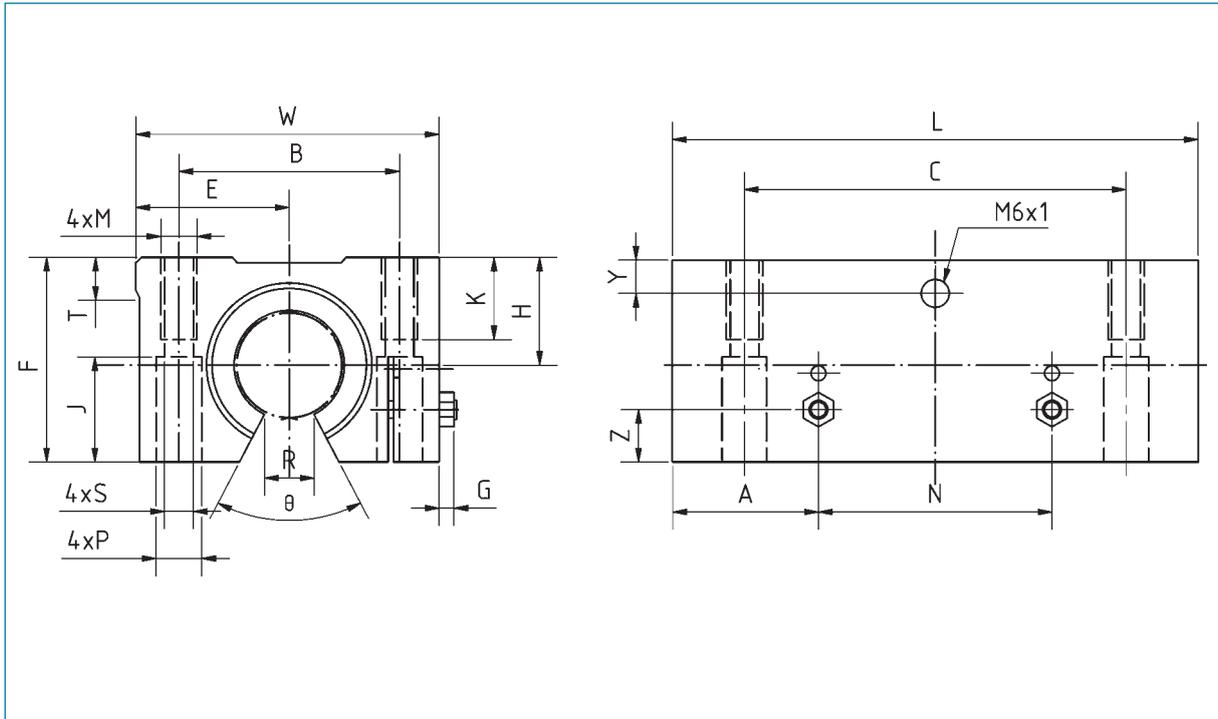


A LSET...L-AO linear unit consists of the following:

- casing (AlMgSi0,5)
- two BBET...-OP super ball bushings
- wiper seals made from NBR

Optionally, the linear units are available with shafts and shaft supports.

Order reference	Dimensions [mm]												
	ød	H ±0,015	E ±0,015	W	L	F	G	Z	A	N	T	R	θ°
LSET12LUU-AO	12	18	21,5	43	76	28	3,2	5	19,5	37	5	6,5	66
LSET16LUU-AO	16	22	26,5	53	84	35	3,2	6	21,5	41	5	9	68
LSET20LUU-AO	20	25	30	60	104	42	4,5	8	27	50	5	9	55
LSET25LUU-AO	25	30	39	78	130	51	5,5	10	33,5	63	7	11,5	57
LSET30LUU-AO	30	35	43,5	87	152	60	5,5	12	39,5	73	8	14	57
LSET40LUU-AO	40	45	54	108	176	77	5	15	45,5	85	10	19,5	56



Dimensions [mm]								dynamic load rating [N]	static load rating [N]	Weight [g]	Order reference
Y	B	C	M	K	S	P	J				
7,5	32	56	M5	11	4,3	8	11,5	1 652	2 580	190	LSET12LUU-AO
9,5	40	64	M6	13	5,3	9,5	14	2 025	3 100	312	LSET16LUU-AO
9	45	76	M8	18	6,6	11	18	3 390	5 260	505	LSET20LUU-AO
10	60	94	M10	22	8,4	14	22	6 120	9 440	1 050	LSET25LUU-AO
11,5	68	106	M10	22	8,4	14	26	8 860	13 620	1 630	LSET30LUU-AO
14	86	124	M12	26	10,5	17,5	33	10 680	16 460	2 880	LSET40LUU-AO



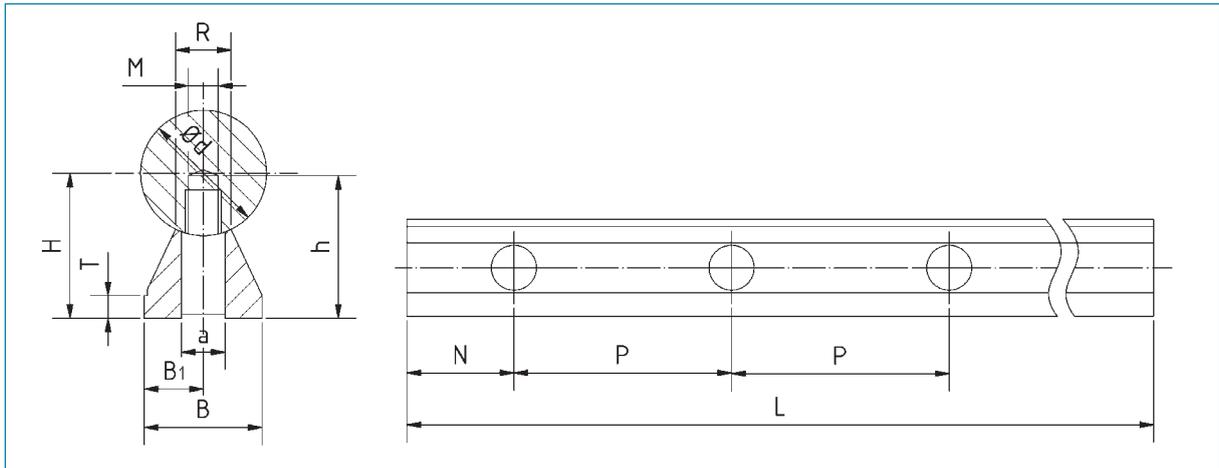
Support rail

Without flange

For supporting shafts in applications utilizing open ball bushings, shaft supports made of an aluminium alloy are available.

The shaft supports without 'SR' flange are suitable for constructions in which the shaft can be mounted from below.

For continuous support, the shaft supports can be installed one behind the other. It is possible to shorten them to the required length, if only partial support is required.



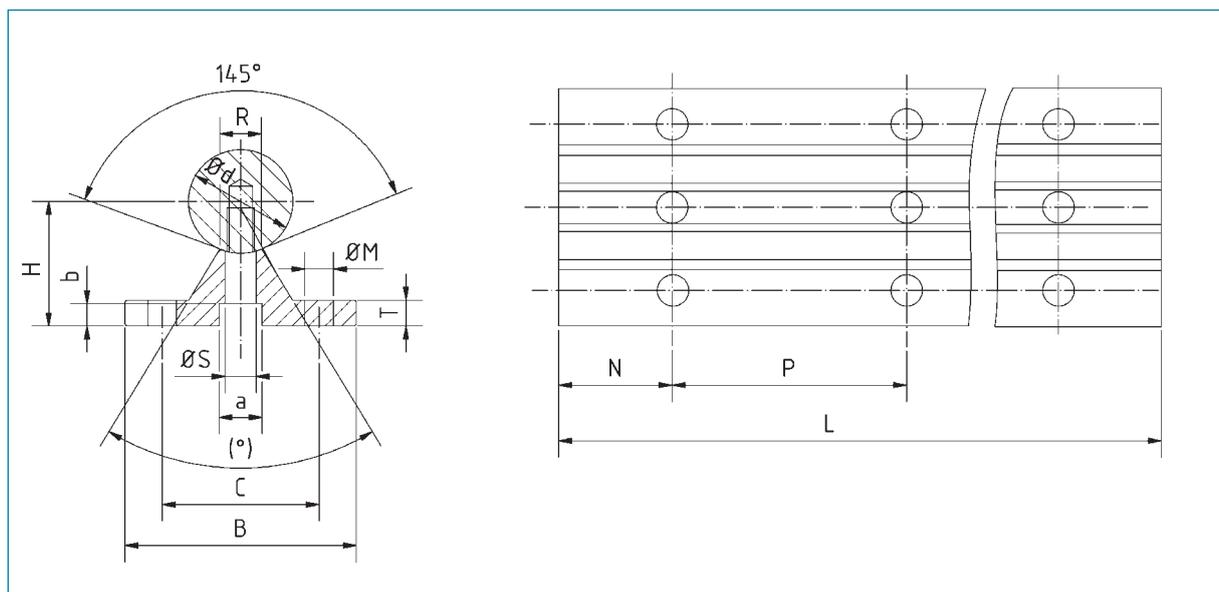
Order reference	Dimensions [mm]												Weight in case of max. length [g]
	Ød	H ±0,02	h	B ±0,02	B1 ±0,02	T	R	M	a	P	N	L max	
SR10-12	12	14,5	15,5	11	5,5	3	5,4	M4	4,5	75	37,5	2 400	440
SR10-16	16	18	16	14	7	3	7	M5	5,5	75	37,5	2 400	540
SR10-20	20	22	20	17	8,5	3	8,1	M6	6,6	75	37,5	2 400	810
SR10-25	25	26	25	21	10,5	3	10,3	M8	9	75	37,5	2 400	1 060
SR10-30	30	30	30	23	11,5	3	11	M10	11	100	50	2 400	1 250
SR10-40	40	39	38	30	15	4	15	M12	13,5	100	50	2 400	2 160
SR10-50	50	46	45	35	17,5	5	19	M14	15,5	100	50	2 400	2 941

Shafts must be ordered separately.
Order designation for support rail with mounted shaft, s. page 73.

With flange

For supported shaft applications involving open ball bushings, shaft supports made of an aluminium alloy are available.

For continuous support, the shaft supports can be installed one behind the other. It is possible to shorten them to the required length, if only partial support is required.



Order reference	Dimensions [mm]																Weight in case of max. length [g]
	ød	H ±0,02	B	C ±0,15	T	R -0,3	a	b	M	S	(°)	P1	P2	N1	N2	L max	
SR20-12	12	22	40	29	5	5,8	8	5	4,5	4,5	50	75	120	37,5	60	599,5	520
SR20-16	16	26	45	33	5	7	9,5	6	5,5	5,5	50	100	150	50	75	599,5	640
SR20-20	20	32	52	37	6	8,3	11	6,5	6,6	6,6	50	100	150	50	75	599,5	900
SR20-25	25	36	57	42	6	10,8	14	8,5	6,6	9	50	120	200	60	100	599,5	1 080
SR20-30	30	42	69	51	7	11	17	10,5	9	11	50	150	200	75	100	599,5	1 430
SR20-40	40	50	73	55	8	15	17	10,5	9	11	50	200	300	100	150	599,5	1 810
SR20-50	50	60	84	63	9	19	19	12,5	11	13	40	200	300	100	150	599,5	2 450

P1/N1 for applications where the load acts transverse to the ball bushings opening and loading is near the load capacity limit.
P2/N2 for general requirements.

Shafts must be ordered separately.

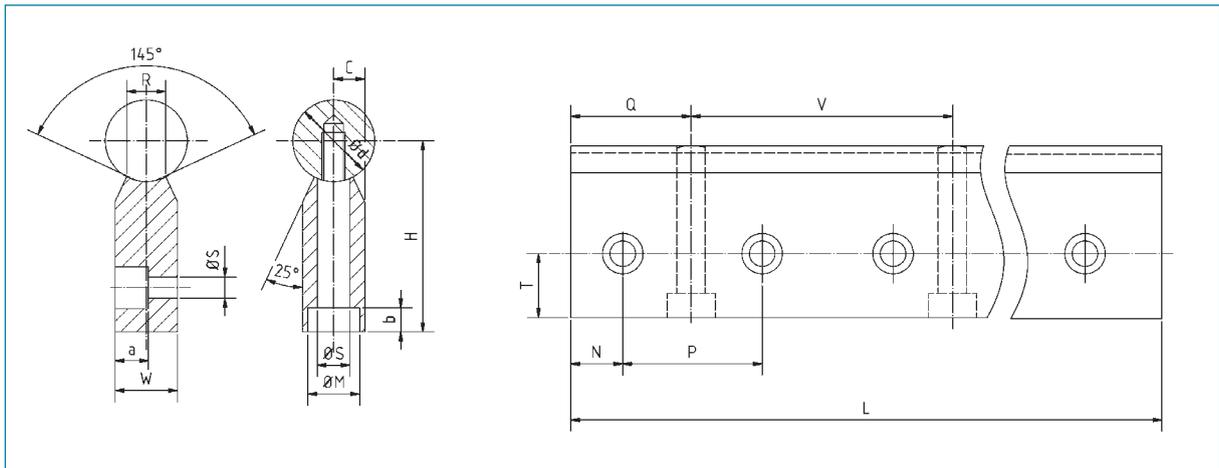
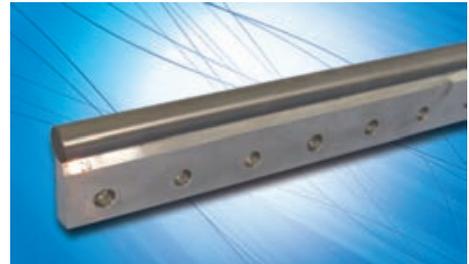
Order designation for support rail with mounted shaft, s. page 73.



For lateral fastening with one row of holes

Shaft support SR30 is suitable in constructions which utilize linear units with casings open to one side (LSE...-SOP and LSE...-SAO) or open ball bushings.

For continuous support, the shaft supports can be installed one behind the other. It is possible to shorten them to the required length, if only partial support is required.



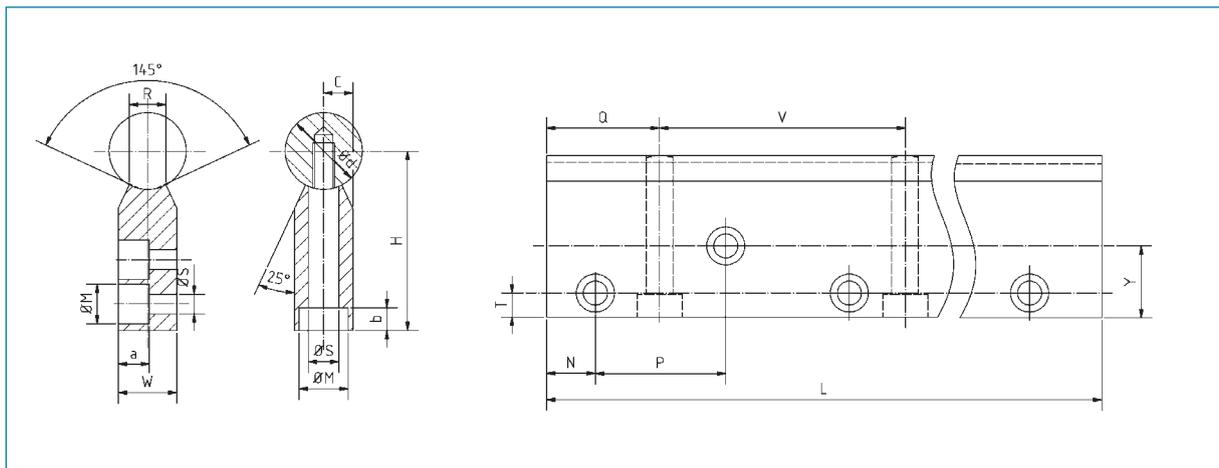
Order reference	Dimensions [mm]															Weight in case of max. length [g]
	Ød	H	W	T	C	R	ØS	ØM	b	a	P	N	Q	V	L max	
SR30-20	20	52	15	15	7,5	8,3	6,6	11	8,5	8,5	50	25	50	100	599,5	1 100
SR30-25	25	62	20	18	10	10,8	9	15	15	11	60	30	60	120	599,5	1 500
SR30-30	30	72	25	21	12,5	11	11	18	15,3	13,5	75	37,5	75	150	599,5	2 100
SR30-40	40	88	30	25	15	15	14	20	19	16	100	50	100	200	599,5	3 000
SR30-50	50	105	35	30	17,5	19	16	24	21,5	18,5	100	50	100	200	599,5	4 200

Shafts must be ordered separately.
Order designation for support rail with mounted shaft, s. page 73.

For lateral fastening with a double row of holes

Shaft support SR40 is suitable in constructions which utilize linear units with casings open to one side (LSE...-SOP and LSE...-SAO) or open ball bushings.

For continuous support, the shaft supports can be installed one behind the other. It is possible to shorten them to the required length, if only partial support is required.



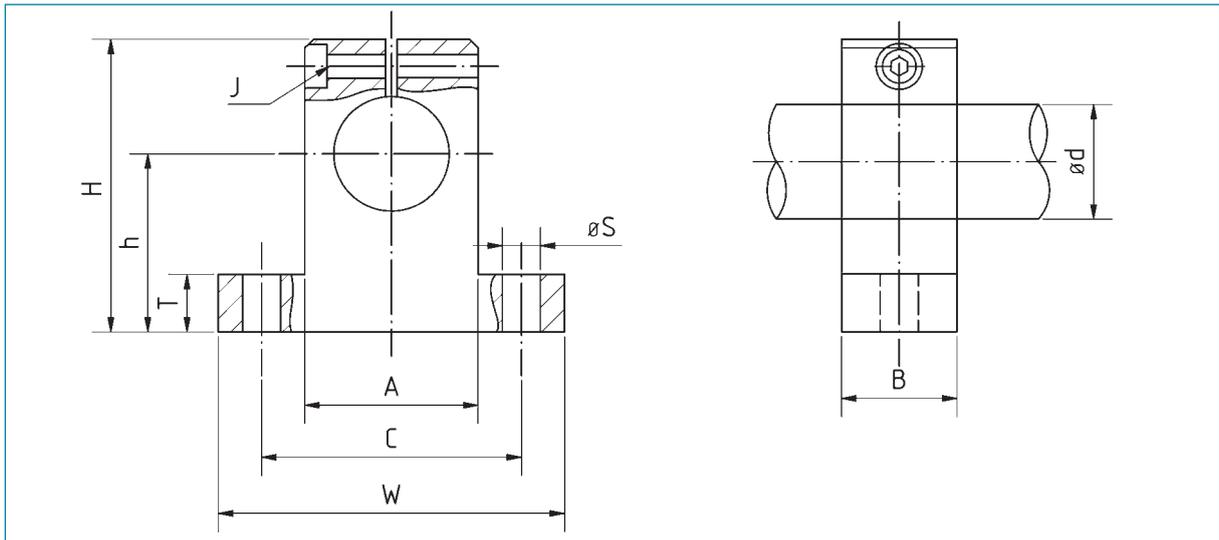
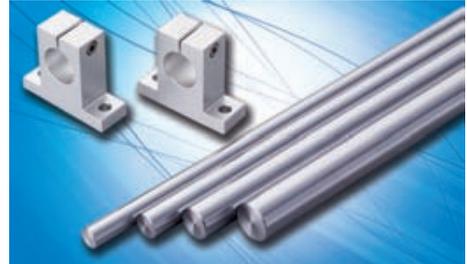
Order reference	Dimensions [mm]															Weight in case of max. length [g]	
	$\varnothing d$	H	W	T	C	Y	R	$\varnothing S$	$\varnothing M$	b	a	P	N	Q	V		L max
SR40-20	20	52	15	8	7,5	22	8,3	6,6	11	8,5	8,5	37,5	18,75	37,5	75	599,5	1 000
SR40-25	25	62	20	10	10	26	10,8	9	15	15	11	37,5	18,75	37,5	75	599,5	1 300
SR40-30	30	72	25	12	12,5	30	11	11	18	15,3	13,5	50	25	50	100	599,5	1 900
SR40-40	40	88	30	12	15	38	15	14	20	19	16	50	25	50	100	599,5	2 700
SR40-50	50	105	35	15	17,5	45	19	16	24	21,5	18,5	50	25	50	100	599,5	3 700

Shafts must be ordered separately.
Order designation for support rail with mounted shaft, s. page 73.



Shaft supports

Our 'SK' shaft blocks offer a cost-effective solution for clamping shafts. The shaft blocks are made from aluminium and are characterized by their high rigidity and precision.



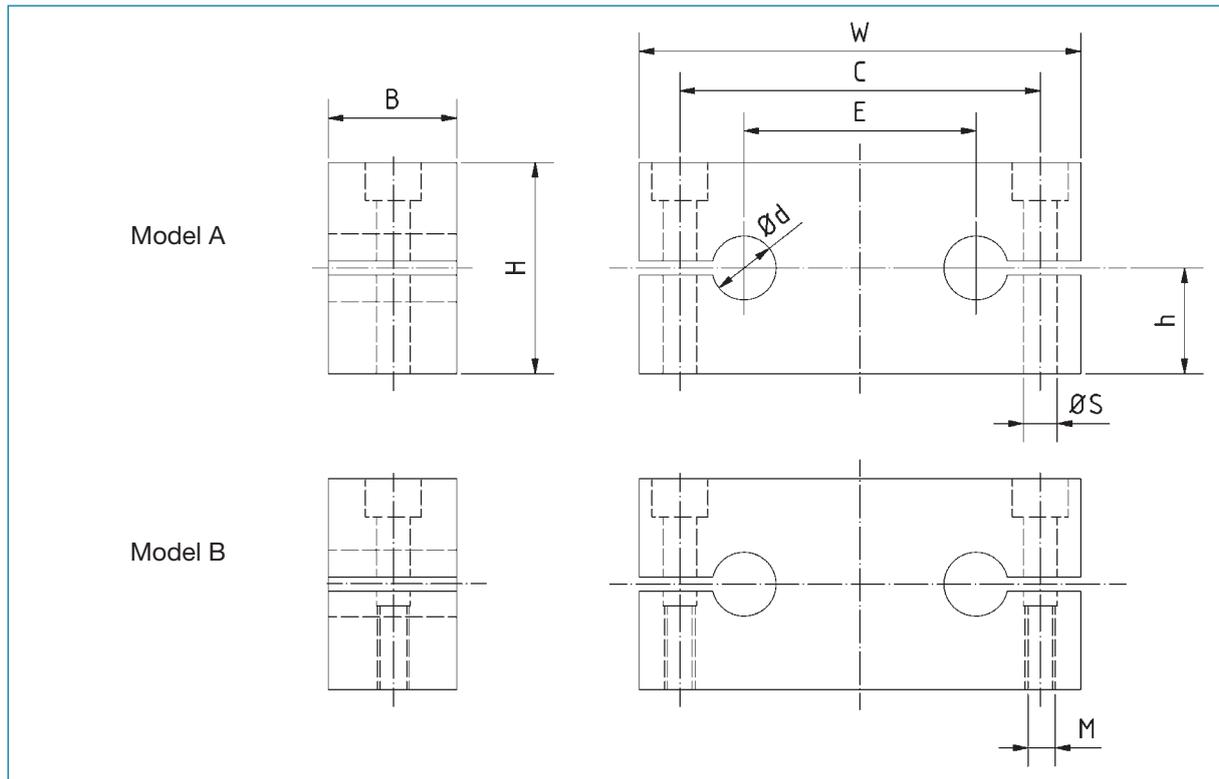
Order reference	Dimensions [mm]										Weight [g]
	Ød H8	H	h ±0,02	W	A	B	C±0,15	T	S	J	
SK8	8	27	15	32	16	10	25	5	4,5	3	10
SK12	12	35	20	42	20	12	32	5,5	5,5	3	20
SK16	16	42	25	50	26	16	40	6,5	5,5	3	30
SK20	20	50	30	60	32	20	45	8	5,5	4	70
SK25	25	58	35	74	38	25	60	9	6,6	5	140
SK30	30	68	40	84	45	28	68	10	9	6	200
SK40	40	86	50	108	56	32	86	12	11	8	480
SK50	50	100	60	130	80	40	108	14	11	8	1 900
SK60	60	124	75	160	100	48	132	15	13,5	8	3 600

| Traverse

For the quadro-linear units of the LSEQ and LSEQ...-OP series, tandem-shaft blocks are available in two models.

Model A is utilized where the shaft blocks are fixed and the linear blocks moving.

Model B enables moving of the shaft, with the linear unit fixed.



Order reference		Dimensions [mm]										Weight [g]	
		Ød	W	B	H		h ±0,015		C	ØS	M		E
Version A	Version B				Version A	Version B							
SH8A	SH8B	8	65	12	23	22	12,5	11	52	5,5	M5	32	40
SH12A	SH12B	12	85	14	32	28	18	14	70	6,6	M6	42	70
SH16A	SH16B	16	100	18	36	32	20	16	82	9	M8	54	130
SH20A	SH20B	20	130	20	46	42	25	21	108	11	M10	72	220
SH25A	SH25B	25	160	25	56	52	30	26	132	13,5	M12	88	440
SH30A	SH30B	30	180	25	64	58	35	29	150	13,5	M12	96	560
SH40A	SH40B	40	230	30	80	72	44	36	190	17,5	M16	122	1 000



Matrix in function of the pre-selection of solid shafts and hollow shafts

Model	Material	Available shaft diameter [mm]	Standard tolerance of shaft
Solid shaft	Cf53 (1.1213)	4, 5, 6, 8, 10, 12, 16, 20, 25, 30, 35, 40, 50, 60	h6
	X90CrMoV18 (1.4112)	12, 16, 20, 25, 30, 35, 40	h6
	Cf53 (1.1213) hard-chrome plated	12, 16, 20, 25, 30, 35, 40	h7
	X46Cr13 (1.4034)*	12, 16, 20, 25, 30, 35, 40	h6
Hollow shaft	C60 (1.1221)	12, 16, 20, 25, 30, 40, 50, 60	h6

* Please note the limited life duration (s. page 78).

Supply of standard products from stock.

The other models are available upon request.

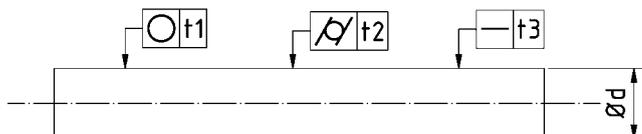
Steel, surface hardness, depth of hardness

The surfaces of the shafts are induction hardened. The even hardness penetration depth ensures the constant transition of the hardened outer zone from out of the tough, normalized core, capable of coping with bending stress (loads).

Shaft diameter [mm]	from	4	10	18	30	50
	up to	10	18	30	50	80
Min. hardness penetration depth [mm]		0,4	0,6	0,9	1,5	2,2

- heat-treated steel Cf53 (1.1213) with surface hardness HRC 62±2
- stainless and acid-resistant steel X90CrMoV18 (1.4112) with surface hardness HRC 57±2
- hard-chrome plated heat-treated steel Cf53Cr (1.1213) with surface hardness 900-1100HV
- stainless steel X46Cr13 (1.4034) with surface hardness HRC 55±2
- hard-chrome plated heat-treated steel Ck60 (1.1221) with surface hardness HRC 60, thickness of chromium layer apx. 10µm, apx. 1000HV

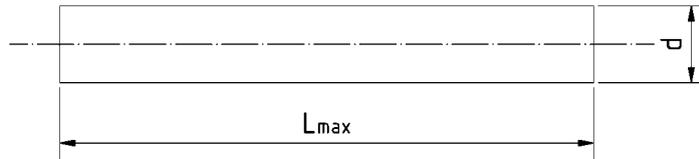
Dimension accuracy and tolerance field



Nominal diameter [mm]	from	4	6	10	18	30	50
	up to	6	10	18	30	50	80
Roundness tolerance t1 [µm]		4	4	5	6	7	8
Concentricity tolerance t2 [µm]		5	6	8	9	11	13
Straightness-tolerance t3 [µm/m]		150	120	100	100	100	100
Mean deviation [µm]		0,32	0,32	0,32	0,32	0,32	0,32

Details for standard product Cf53 (1.1213)

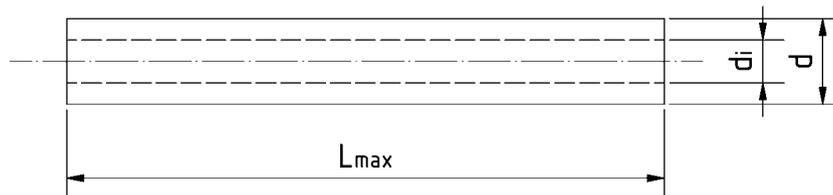
| Solid shafts



Order reference	W04	W05	W06	W08	W10	W12	W16	W20	W25	W30	W35	W40	W50	W60
Diameter d [mm]	4	5	6	8	10	12	16	20	25	30	35	40	50	60
Max. length L [mm]	3600	4000	4000	4000	4000	6000	6000	6000	6000	6000	6000	6000	6000	6000
Mass [kg/m]	0,099	0,154	0,222	0,395	0,617	0,888	1,578	2,466	3,853	5,549	7,552	9,864	15,413	22,195

Details for standard product Cf53 (1.1213)

| Hollow shafts



Order reference	HW12	HW16	HW20	HW25	HW30	HW40	HW50	HW60
Diameter d [mm]	12	16	20	25	30	40	50	60
Internal diameter di [mm]	3,4	8	14	14	19	26,5	29,6	36,5
Max. length L [mm]	6000	6000	6000	6000	6000	6000	6000	6000
Mass [kg/m]	0,817	1,184	1,258	2,645	3,323	5,535	10,011	13,981

Details for standard product Ck60 (1.1221)

Shaft tooling

Addition tooling (eg. taps, internal and external threads, countersinks) which require annealing may display minor dimensional changes.

Length tolerance for shortened shafts

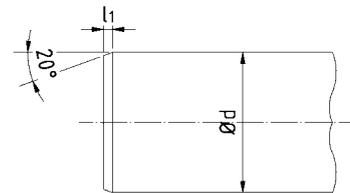
Shaft length L [mm]		Max. tolerance [mm]
from	to	
-	400	±0,5
400	1000	±0,8
1000	2000	±1,2
2000	4000	±2,0
4000	6000	±3,0

Combination 00 (standard order)

After cutting, the shafts are only shortened and deburred, no further dressing of the end is carried out.

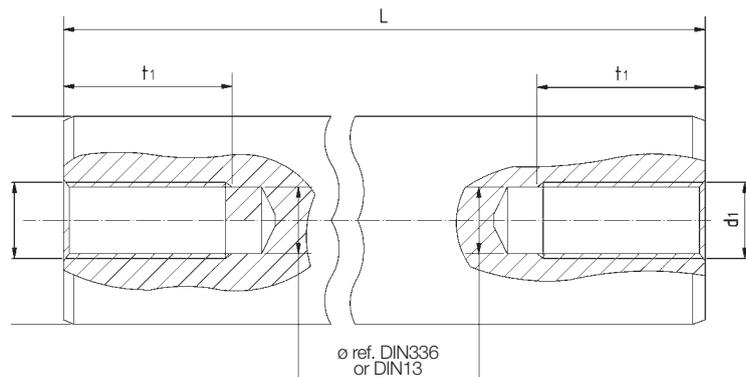
Combination 01 standard stage

The shafts are chamfered on both ends after the shortening, preventing the occurrence of damage to the ball cage or seals, in case of contact with the ball bushings.



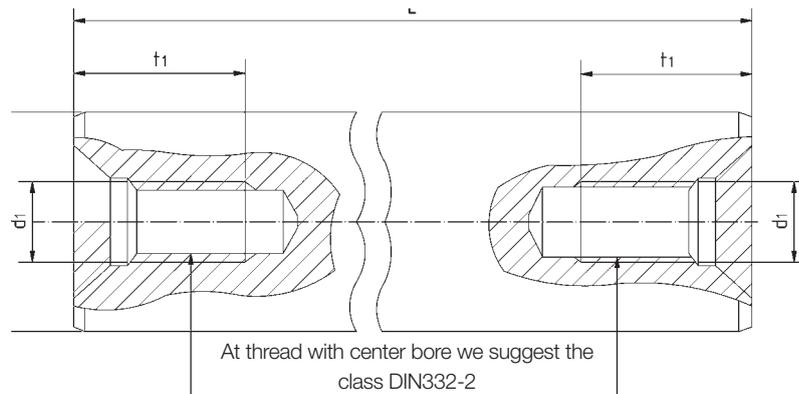
Ød [mm]	4	5	6	8	10	12	16	20	25	30	35	40	50	60
l1 [mm]	1	1,5	1,5	1,5	1,5	2	2	2	2	2	2	3	3	3

Combination 02 axial thread



Ød [mm]	12	16	20	25	30	40	50
d1 [mm]	M5	M6	M8	M10	M12	M12	M16
t1 [mm]	12,5	16	19	22	28	28	36

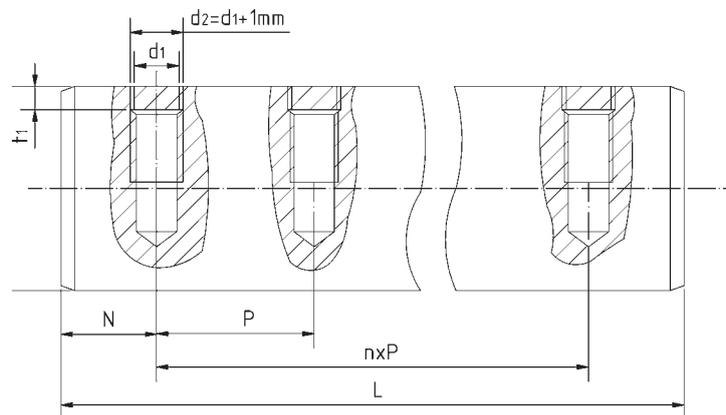
Combination 03 axial thread and center bore, according to DIN 332-D



Ød [mm]	12	16	20	25	30	40	50
d1 [mm]	M5	M6	M8	M10	M12	M12	M16
t1 [mm]	12,5	16	19	22	28	28	36

Combination 04 radial holes (bores) with and without thread

In case steel shafts have to be supported, radial bores are necessary.



Ød [mm]	12	16	20	25	30	40	50
d1 [mm]	M4	M5	M6	M8	M10	M10	M12
t1 [mm]	2,5	2,5	3,0	3,0	3,5	4,0	4,0

The hole distance depends on the shaft diameter. The tables for the shaft supports display the reference data.

Combination 05

Axial thread (combination 02) and radial bores with and without thread (combination 04).

Combination 06

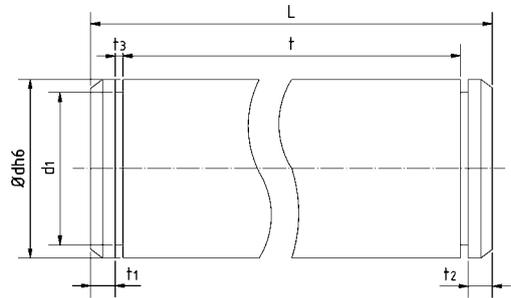
Axial thread and center bore, according to DIN 332-D (combination 03) and radial bores with and without thread (combination 04).



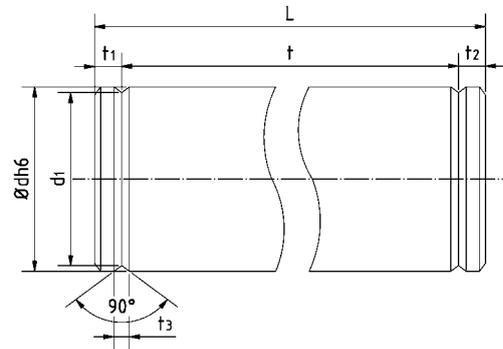
Examples of tooling

Please use your own customer drawing for a request, or copy our model and complete with the required data (values).

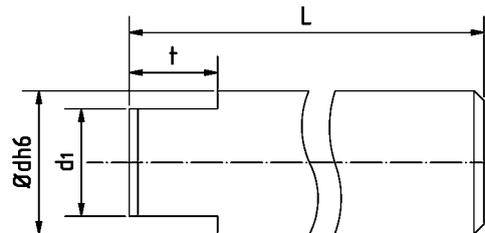
Insertion for locking ring, according to DIN 471



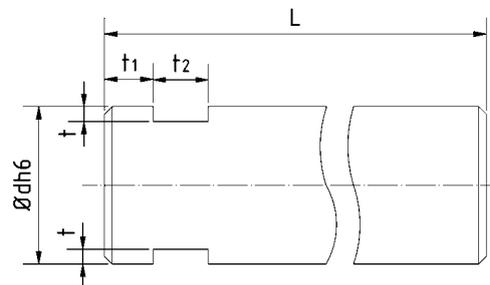
Insertion 90°



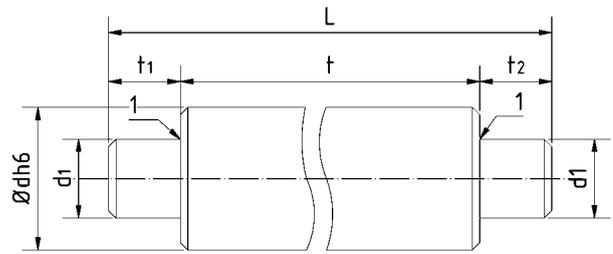
Width across flat



Width flat

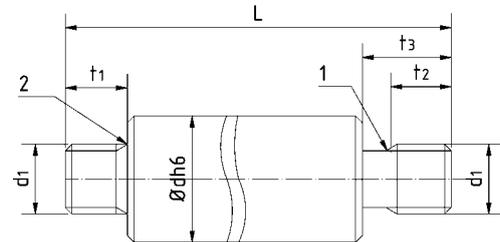


Taps



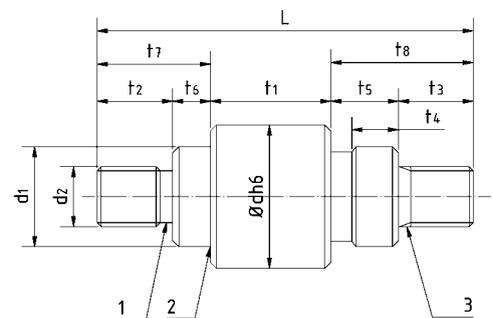
1. Undercut to form F, DIN 509 (both sides)

Threaded ends



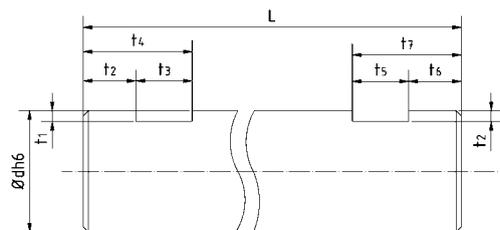
1. Thread runout to DIN 76-a1 (for undercut DIN 76-A)
2. Undercut to DIN 76-A (recommended)

Taps and threaded ends

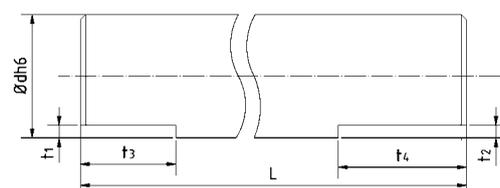


1. Undercut to DIN 76-A (recommended)
2. Undercut to form F, DIN 509 (both sides)
3. Thread runout to DIN 76-a1 (for undercut DIN 76-A)

Notch



Surface





Type designation code

BBE... ball bushings and BBET... super ball bushings

- Examples of order reference for ball bushings/super ball bushings without seal: BBE20, BBET20
- Examples of order reference for a ball bushings/super ball bushings with single-sided seal: BBE20U, BBET20U
- Examples of order reference for a ball bushings/super ball bushings with double-sided seal: BBE20UU, BBET20UU

KH ball sleeves

- Example of order reference for a ball sleeve without seal: KH1228
- Example of order reference for a ball bushings with double-sided seal: KH1228LL/3AS

Linear units with standard ball bushings (norm)

- Example of order reference for linear units with standard BBE ball bushings with double-sided seal: LSE20UU

Linear units with super ball bushings

- Examples of order reference for linear units with super ball bushings with double-sided seal: LSET20UU

Shafts (with and without ball bearing)

W 20 – 6000 – 0 – 04 - N1 - P1 - 00

1	2	3	4	5	6	7
1	W20	Type of shaft (W – solid shaft, HW- hollow shaft) and diameter (mm)				
2	6000	Length of shaft (mm)				
3	0	Material/finishing				
		0 Cf53 (für W), C60 (for HW)				
		1 X90CrMoV18				
		2 Cf53 hard-chrome plated				
4	04	3 X46Cr13				
		Shaft tooling (00...06, XX- according to design by customer)				
		N measure [mm]				
		N0 standard measure according to catalog				
5	N1	N1 standard measure according to catalog (N1) for SR20				
		N2 standard measure according to catalog (N2) for SR20				
		P measure [mm]				
6	P1	P0 standard measure according to catalog				
		P1 standard measure according to catalog (N1) for SR20				
		P2 standard measure according to catalog (N2) for SR20				
		00 SNR LUB Heavy Duty (standard lubricant/grease)				
7	00	01 'Konservierungsöl Contraktor Fluid' H1				
		02 SNR LUB FOOD				
		03 BEM 34-32				
		04 UH1 14-151				
		XX Special grease (customer data)				

Shaft supports (with and without shaft/ball bearing)

SR20 – 16 – 1199 - N1 – P1 – W - 0 - 04 - 00

1	2	3	4	5	6	7	8	9
1	SR20	Model of the mounting rail						
2	16	Diameter of the shaft (mm)						
3	1199	Length of the mounting rail (mm)						
4	N1	N measure [mm]						
		N0 standard measure according to catalog						
		N1 standard measure according to catalog (N1) for SR20						
		N2 standard measure according to catalog (N2) for SR20						
5	P1	P measure [mm]						
		P0 standard measure according to catalog						
		P1 standard measure according to catalog (N1) for SR20						
		P2 standard measure according to catalog (N2) for SR20						
6	W	without without shaft						
		W solid shaft						
		HW hollow shaft						
7	0	Material/finishing						
		0 Cf53 (für W), C60 (for HW)						
		1 X90CrMoV18						
		2 Cf53 hard-chrome plated						
8	04	3 X46Cr13						
		Shaft tooling (00...06, XX- according to design by customer)						
		00 SNR LUB Heavy Duty (standard lubricant/grease)						
		01 'Konservierungsöl Contraktor Fluid' H1						
9	00	02 SNR LUB FOOD						
		03 BEM 34-32						
		04 UH1 14-151						
		XX Special grease (customer data)						



General information

Introduction

Linear ball bushings achieve longitudinal movement along a shaft by retaining the balls in a closed circulation path, allowing constant recirculation through the load zone. Hence, unlimited lifting heights/strokes are possible. The ball bushings offer the advantages of any journal (ball) bearing, namely a long operational life, low friction and breakaway torque, high precision and efficiency. The surfaces of the bearings are made from high-grade rolling bearing steel. The precisely shaped and polished cylindrical sheet-metal outer ring consists of one single part. It is held together by way of turned parts, screwed into the bushing/case and combining the function of smooth sealing rings through their design. Therefore, standard bearings with wiper seals can often be utilized. A unit with high rigidity, functional reliability and sustainability is achieved.

Load ratings

Dynamic load rating C

The radial load with constant magnitude and direction, a linear-rolling bearing can theoretically cope with for a nominal operational period of 105 m covered distance. Remark: The details of the dynamic load rating stipulate that the lift of the linear-joint (ball) bearings should be at least three times its overall constructional length.

Static load rating C₀

Static radial load results in deformation at the contact zones with the highest load/stress between the rolling element and the orbital path (shaft) of 5300 Mpa.

Remark: The permanent overall deformation of the rolling element and the orbital path corresponds approximately to a factor of 0,0001 of the diameter of the rolling element.

Permissible load

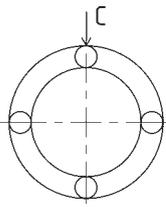
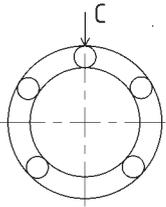
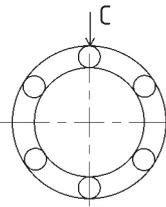
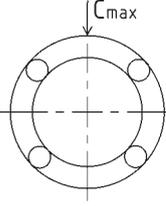
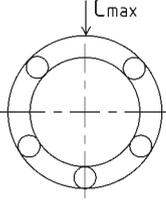
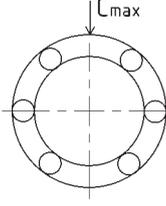
Comparison between permissible loads in standard ball bushings and tandem models

Type	dynamic load rating	static load rating	permissible static moment
BBE...*	1	1	1
BBE...L	1,6	2	~ 6

* for comparative purposes, standard type BBE is set as "1"

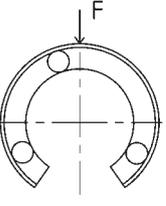
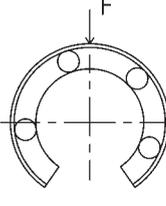
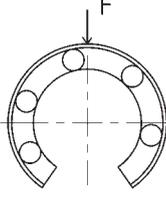
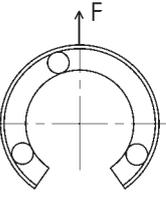
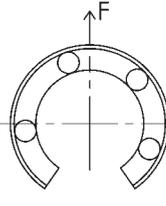
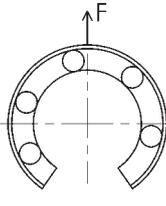
Relation between the rows of balls and the load rating

Closed and adjustable ball bushings

Number of rows of balls	4	5	6
C (load rating according to Table)			
C_{MAX} (maximal load capacity)			
Load coefficient C_{MAX}/C	1,414	1,463	1,280

The load capacity of a ball bearing (closed and adjustable) varies depending on the reference point of the load (and) on the circumference (size). The value in the Tables indicates the smallest load rating assuming a load working from/on the topline of a ball element. Where two ball elements are utilized that are being evenly loaded, the value increases. The Table above displays the values for the number of ball elements in each of the cases.

Open ball bushings

Number of rows of balls	3*	4	5
Load from above			
Load from below			

* except the types with three rows, with a steel cage.

Where a load is applied in the open direction, the load capacity (rating) is reduced, because the load is working on a smaller number of rows of balls.



Material

Depending on the application, various models of ball bushings may be utilized.

Standard ball bushings of the BBE series consist of the following:

- a hardened and polished outer sleeve (100Cr6)
- a guidance cage made from plastic (POM)
- balls made from ball-bearing steel (100Cr6)
- wiper seals made from NBR (optional)

These ball bushings have as distinctive advantages for instance reduced noise during operation and a cost-efficient model.

Standard ball bushings of the BBE...A series consist of the following:

- a hardened and polished outer sleeve (100Cr6)
- a guidance cage made from austenitic stainless steel (X2CrNi 18-9)
- balls made from ball-bearing steel (100Cr6)
- wiper seals made from NBR (optional)

Potential applications: high temperatures, for instance in foundry applications or applications involving vacuum, where the utilization of plastic parts is not feasible.

The corrosion-resistant ball bushings of the BBES series consist of the following:

- a hardened and polished outer sleeve made from martensitic stainless steel (X105CrMo17)
- a guidance cage made from plastic (POM)
- balls made from ball-bearing steel (100Cr6)
- wiper seals made from NBR (optional)

Potential applications: corrosive environments.

The corrosion-resistant ball bushings of the BBES...A series consist of the following:

- a hardened and polished outer sleeve made from martensitic stainless steel (X105CrMo17)
- a guidance cage made from austenitic stainless steel (X2CrNi 18-9)
- balls made from ball-bearing steel (100Cr6)
- wiper seals made from NBR (optional)

The ball bushings of the BBES...A series are specifically intended for use under extremely dirty conditions, for instance cement works or the wood processing industry. A further potential area of application is the industry in which aggressive cleaning agents are used (e.g. the food industry, chemical industry, pharmaceutical and medicinal industry).

Super ball bushings of the BBET... series consist of the following:

- a guidance cage and outer sleeve made from POM
- hardened steel inserts with polished orbital path groove (15CrMo5)
- balls made from ball-bearing steel (100Cr6)
- wiper seals made from NBR (optional)

The high-grade super ball bushings of the BBET series distinguish themselves from the conventional ball bushings by a triple load capacity and by an operational life that is 27 times as long as the normal one.

The ball bushings of the KH... series consist of the following:

- a hardened sleeve, shaped without cutting (chipless)
- a guidance cage made from plastic (POM)
- balls made from ball-bearing steel (100Cr6)
- wiper seals made from NBR (optional)

Ambient temperature during operation

Material		Name	Temperature range
Outer sleeve	Cage		
Steel	Plastic	BBE...	-20°C ~ 80°C (-4°F ~ 176°F)
	Steel	BBE...A	-20°C ~ 110°C (-4°F ~ 230°F)
Stainless steel	Plastic	BBES...	-20°C ~ 80°C (-4°F ~ 176°F)
	Steel	BBES...A	-20°C ~ 140°C (-4°F ~ 284°F)*

*When using a ball bearing with seals, the ambient temperature should not exceed 120°C (248°F).

Service life

Nominal service life

The nominal service assumes a 90% certainty for achievable service life for a single rolling bearing or a group consisting of similar rolling bearings, running under the same conditions, with standard material of normal production quality and under standard operating conditions.

The sizing of the ball bearing is determined by the required service life and load. The service life of the ball bushings is calculated in the same manner as all rolling bearing, using the following formula:

$$L = \frac{C}{F} \cdot \frac{f_h \cdot f_T \cdot f_c}{f_w} \cdot 50$$

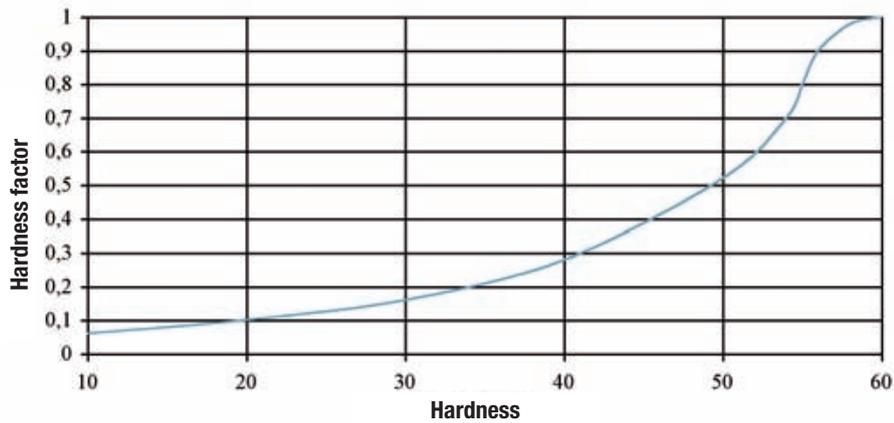
- L nominal service life, km
- C dynamic load rating, N
- F dynamic load, N
- f_h hardness factor of the shaft hardness (standard 1)
- f_T temperature factor
- f_c contact factor
- f_w load factor

$$L_h = \frac{L}{2 \cdot s \cdot n_s \cdot 60}$$

- L_h nominal service life, h
- s stroke length, m
- n_s stroke frequency, min⁻¹

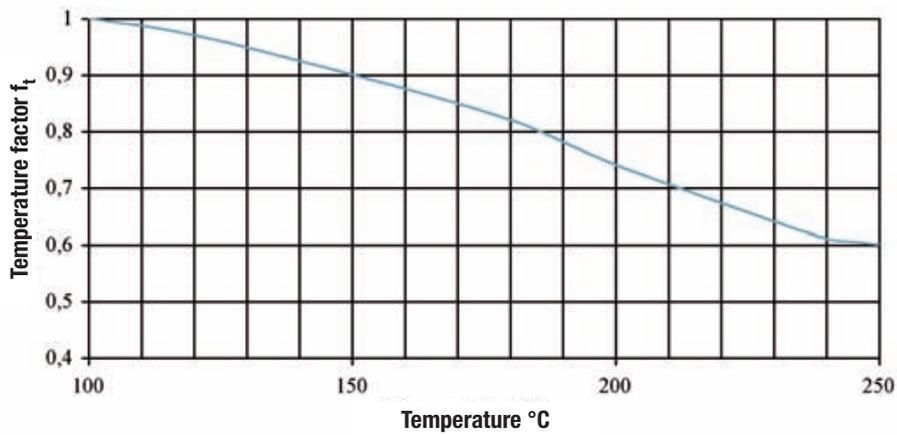


Hardness factor for shaft hardness f_h



If shafts are utilized with a hardness of the surfaces of less than 60 HRC, a hardness factor is to be taken into account.

Temperature factor f_t



If the ambient temperature of the ball bushings exceeds 100°C (212°F) during operation, negative effects from the high temperatures must be taken into account. Moreover, the respective ball bearing has to be suited for high temperature ranges.

Contact factor f_c

If multiple ball bushings are put closely together, the running motion is influenced by moments and the mounting precision, in such a way that an equal load distribution is very hard to achieve. In such a case, a contact factor is to be taken into account.

Number of ball bushings closely put together	f_c
1	1,0
2	0,81
3	0,72
4	0,66
5	0,61

Load factor f_w

In general, machines with oscillating movements cause vibrations and shocks during their operation. Generally, it is quite hard to exactly determine the vibrations and shock loads, caused by repeated starting and stopping, during operation at high speeds. If the loads acting on the ball bushings cannot be measured or in case of high speed and shock loads having a large influence, the appropriate load factor has to be applied.

Operating conditions, speed V	f_w
Normal operating conditions, $V \leq 0,25$ m/s	1,0...1,5
Normal operating conditions with limited vibrations/shocks, $0,25 < V \leq 1,0$ m/s	1,5...2,0
Operating conditions with strong vibrations/shocks, $V > 2,0$ m/s	2,0...3,5

Static safety coefficient f_s

The static safety factor is used to prevent unacceptable permanent deflections of the raceways and rolling elements. It is the relation between the static load capacity rating C_0 and the maximum occurring load F_{0max} . The maximum load condition including transient conditions is assumed.

$$f_s = \frac{C_0}{F_{0MAX}}$$

f_s static safety coefficient

C_0 static load rating, N

F_{0max} maximum static load, N

References for the static safety coefficient in case of various operating conditions:

Operating conditions	f_s
Normal operating conditions	1 ... 2
Limited shock loads and vibrations	2 ... 4
Moderate shock loads or vibrations	3 ... 5
Strong shock loads or vibrations	4 ... 6
Load parameters are unknown	6 ... 15



Lubrication and friction

The friction levels for ball bushings without wiper seals are quite low, at approx 0.001 to 0.003. The general rolling bearing criteria apply to the lubrication. Lubrication can be mineral based oil or grease and the following is to be taken into account. The grease enhances the sealing and adheres to the ball bearing. Further lubrication is only necessary over longer intervals. Contrary to ball screws and track rail guides, substantially less lubricant is required for ball bushing guides, due to the limited contact surface between the rolling bearing and the orbital path.

We recommend mineral based grease of K2K DIN 51825 quality. In case of loads that are more than 10% higher than the dynamic load capacity rating, greases with EP additives are to be used (KP2K DIN 51825). The ball bushings as standard are treated and delivered with an oily preservative. The preservative can be used with and can be combined with lubricants having an oily basis, so that in general the bearing does not have to be washed before installation.

Under normal circumstances, grease SNR LUB EP is used. Specific requirements under certain environmental conditions require the use of suitable grease. In vacuum applications, lubricants are required that have a lower evaporation rate, in order to keep the vacuum atmosphere in good order. In the food industry and cleaning room, there are special requirements for the lubricant with regard to emission and compatibility. Basically the compatibility of the lubricants in relation to each other should be checked. In case of special ambient conditions, we will gladly assist you.

Designation	Type of oil, consistency regulator	NLGI class DIN 51818	Walkpenetration DIN ISO 2137 at 25°C (77°F)	Base oil viscosity DIN51562 at 40°C (104°F)	Density	Temperature range	Properties	Range of application
			[0,1 mm]	[mm²/s]	[kg/m³]	[°C]		
SNR LUB Heavy Duty	paraffinic mineral oil / lithium-special-soap	2	285	apx. 105	890	-30...+110	- low friction - Smooth running	- general mechanical engineering
SNR LUB GV+	sythetic 'KW' oil / ester oil / lithium-spezial-soap	2	265...295	24	900	-50...+120°C (-58°F...248°F)	- very good adhesive power - highly water-resistant	- high speeds
SNR LUB HIGH TEMP	sythetic KW-oil / mineral oil / polyurea	2	265...295	160	900	-40...+160°C (-40°F...320°F)	- high heat resistance - good corrosion protection - high oxidation resistance	- high temperature range
SNR LUB FOOD	paraffinic mineral oil / aluminium complex soap	2	265...295	apx. 240	920	-30...+110	- good corrosion protection - very good adhesive power - high water resistance - NSF H1 registered*	- Food industry
Microlub GL261	mineral oil / lithium-special-soap	1	310...340	280	890	-30...+140	- good wear protection - highly pressure-resistant - Additive against fretting corrosion	- general mechanical engineering - heavy load - Short-stroke applications - Vibrations
Klübersynth BEM34-32	sythetic 'KW' oil / special - calcium soap	2	265...295	apx. 30	890	-30...+140	- highly pressure-resistant - good wear protection - good durability - low starting torque	- Clean room applications
Klübersynth UH1 14-151	sythetic 'KW' oil / ester oil / aluminium - complex soap	1	310...340	apx. 150	920	-45...+120	- good corrosion protection - good durability - high water resistance - NSF H1 registered*	- Pharmaceutical industry - Food industry

* This grease is registered as H1 product: it has been developed for occasional, technically unavoidable contact with foodstuff. Experiences have shown that the grease can also be used for the corresponding applications in the pharmaceutical and cosmetic industry, on the conditions listed in the product information. However, there are no specific test results, for instance, on the biocompatibility, as may be required under certain circumstances in the pharmaceutical area. Therefore, before it is used in this area by equipment manufacturers and distributors, corresponding risk analyses must be performed. If necessary, measures to avoid health hazard and injuries must be taken.
Source: Klüber Lubrication



In case of the initial lubrication and further lubrication through the lubricating hole, lubricant has to be applied to the bearing in installed shafts until it abundantly 'fills' the bearing.

The lubrication period depends on many influential factors, for instance:

- Load
- Speed
- Motion sequence
- Temperature

The following influential factors reduce the lubrication interval:

- Greater load
- High speed
- Short stroke (stroke is shorter than three times the length of the ball bearing)
- Lower ageing resistance of the lubricant

Precise lubrication intervals can be obtained upon request, based on the operating conditions.

Fittings

In general, in case of standard ball bushings, the normal clearance fit is applied. The transition fit is used, in order to reduce the play and increase the accuracy.

The pre-tension for the adjustable and open ball bushings must be set according to the values displayed in the table for the radial play (clearance), so that the allowable limit values for the pre-tension cannot be exceeded.

In case of the super ball bushings, it has to be taken into account that adequate play (clearance) occurs between the super ball bearing and the shaft. If that is not the case, early failure and/or jerky movements may be caused.

Series	Shaft		Casing	
	Clearance fit	Transition fit	Clearance fit	Transition fit
BBE...	h6	j6	H7	J7
BBE...L	h6	-	H7	-
BBER...	h6	j6	-	-
BBER...L	h6	-	-	-
BBET...	h6	-	H7	-

Standard ball bushings are otherwise inserted in a H7 bore and retained by way of locking rings. Alternatively, they can and may also be fixed or adhered by way of screwed disks, locking plates or washers.

Using complete bearing units in which the bearings have already been installed eliminates fitting concerns and offers a significant cost benefit.

More information on SNR products from the linear motion range can be found in our catalogs



Linear axes and linear actuators



Ball Screws



Profile rail guides



contatto
contatto

お問い合わせ

contacto
contacto

contact
contact

www.ntn-snr.com

الاتصال ب

联系我们
Lian Xi Wǒ Men

Kontakt
Kontakt

contato
contato

AUTOMOTIVE / AEROSPACE / INDUSTRY